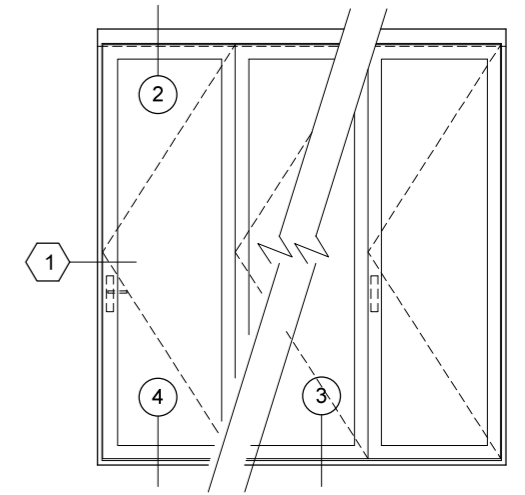


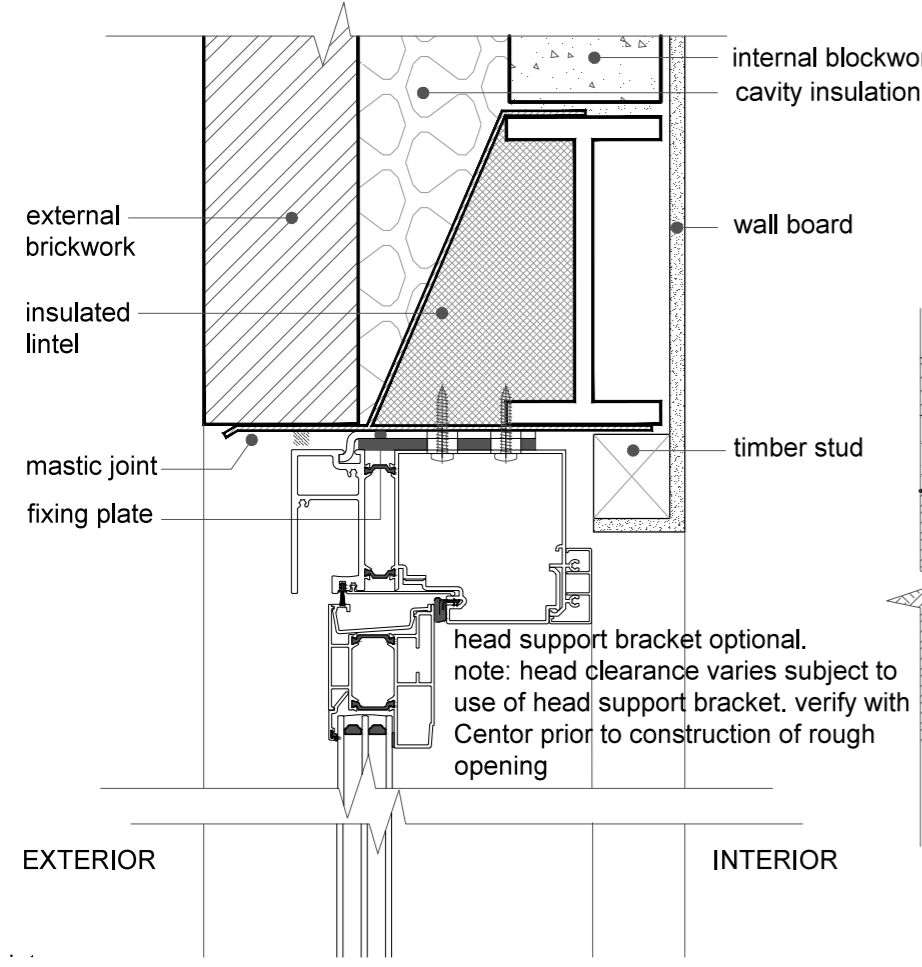
**1 jamb detail**  
1:5



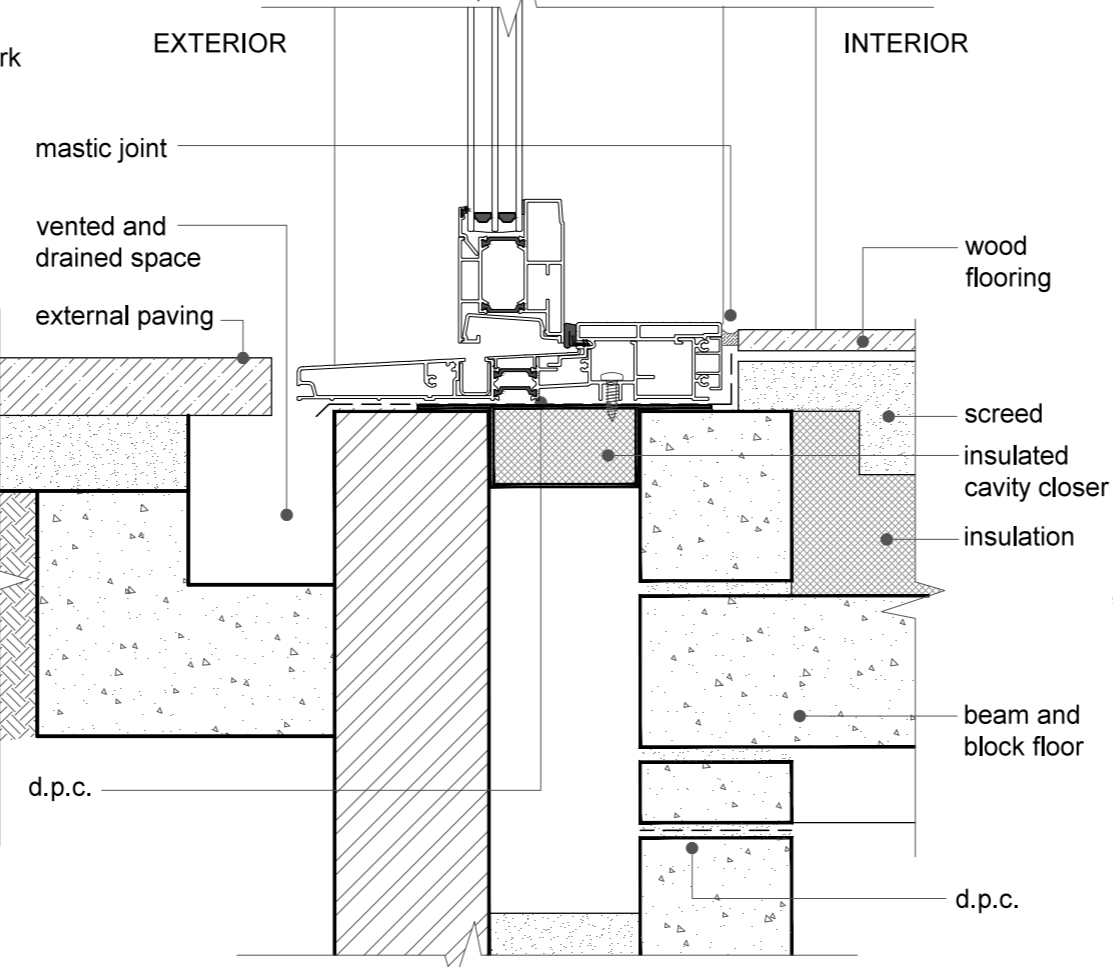
**elevation key**  
1:50

	head fixing	
	through carrier channel	through head bracket
head clearance	10mm	25mm
sill clearance	10mm	10mm
jamb clearance	10mm	10mm

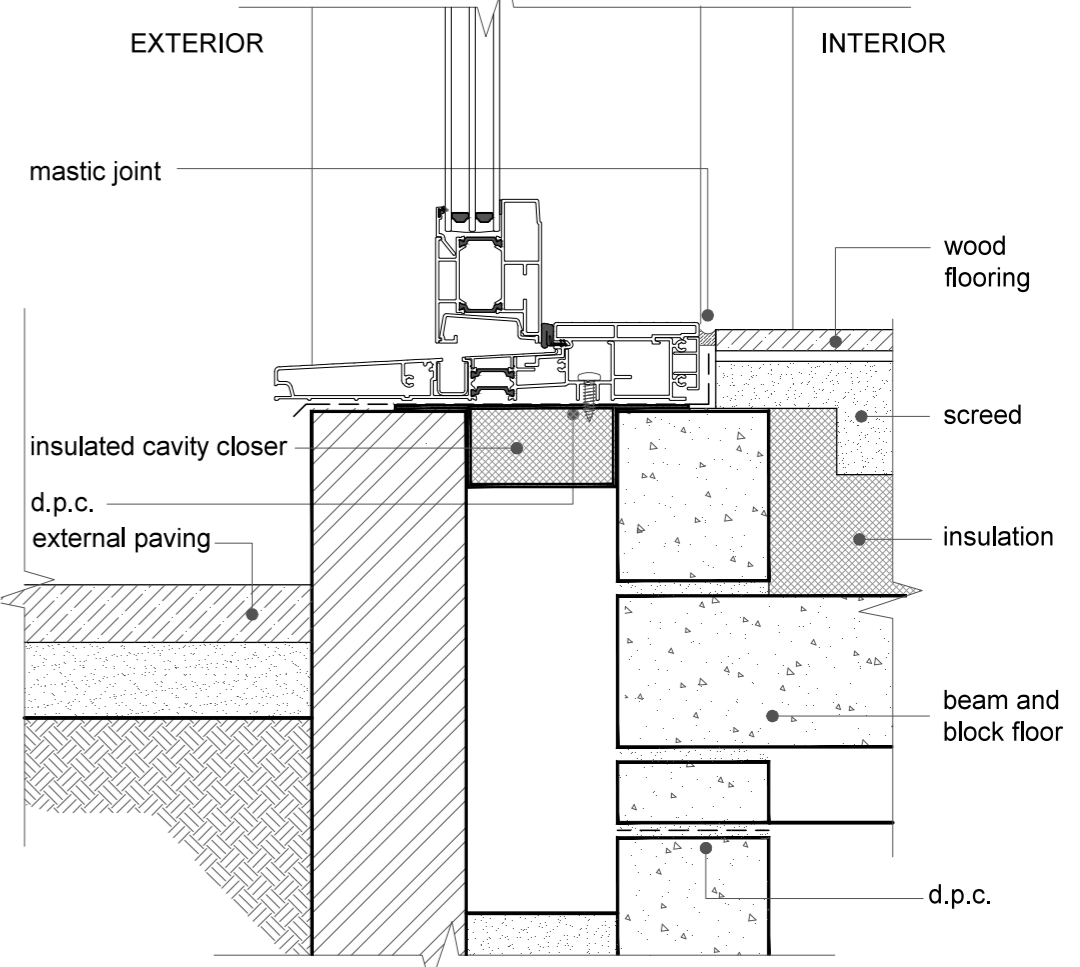
**typical rough opening clearances**



**2 head detail - steel lintel**  
1:5



**3 sill detail - level paving**  
1:5



**4 sill detail - step down**  
1:5

Structural lintels should be fabricated and installed in accordance with a certified engineer's specifications. Steel lintels are strongly recommended for openings wider than 3.6M. For further information on lintel design refer to Centor Engineering Guide.