

TwinPoint Gen2
WOOD PANELS



Folding door lock with internal and external access

centor®

File download information	3
<hr/>	
Product details	
Exploded view	4 - 7
Assembly detail	8 - 9
Lock cylinder	10 - 13
Bolt, cup and plate	14
<hr/>	
Routing details	15 - 20
<hr/>	
Lock cylinder handing	
Lock handing definition	21
Handing details	22 - 25
Lock position to suit folding hardware	26 - 27
<hr/>	
Instructions	
Formulas and limits	28 - 29
Assembly	30 - 33
Installation	34 - 35
<hr/>	
Hardware selection - folding doors	36 - 47

Download options

Centor's brochures, technical documents and drawings can be downloaded from:

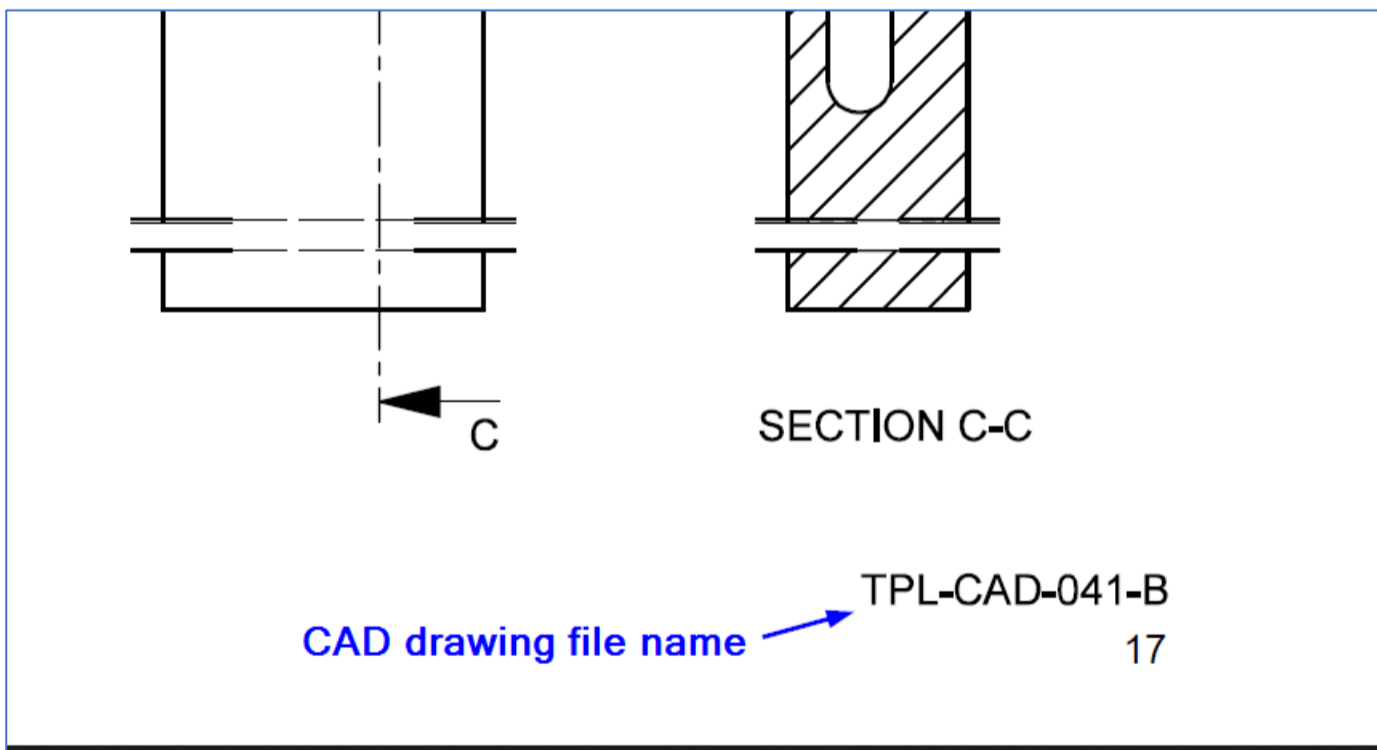
1. Bottom of the TwinPoint Gen2 website page
2. Professional section of Centor's webpage
3. This web link: [English](#) | [French](#) | [German](#) | [Greek](#) | [Italian](#) | [Polish](#) | [Spanish](#)

Downloads	
TwinPoint Gen2 Brochure	pdf
TwinPoint Gen2 Hollow Panels technical document	pdf
TwinPoint Gen2 Wood Panels technical document	pdf
TwinPoint Gen2 Drawings (dwg)	zip
TwinPoint Gen2 Drawings (dxf)	zip

2D CAD drawing download

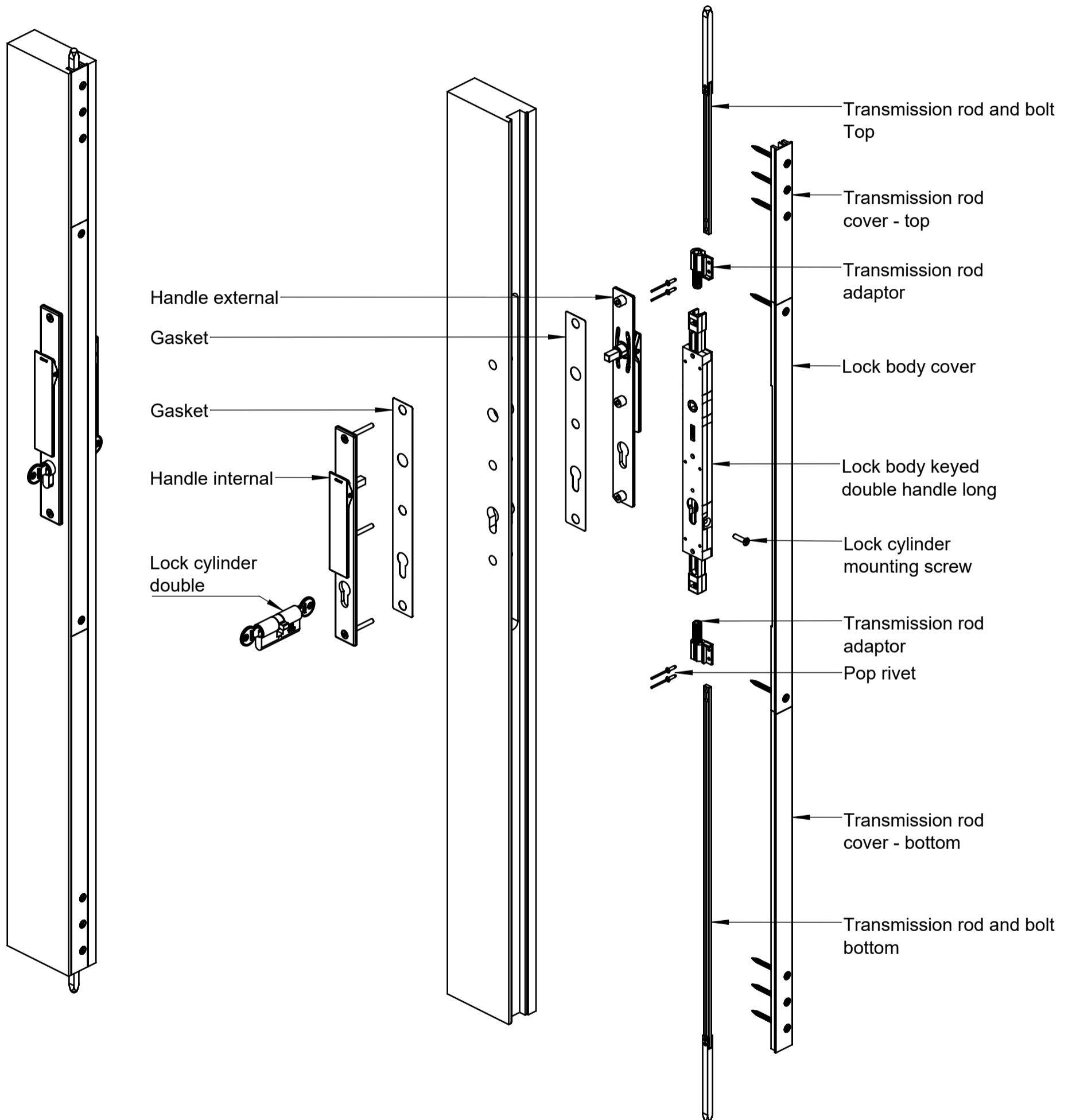
The drawings download provides a folder that contains all the drawings.

1. There are two folders. One for dwg and one for dxf.
2. Use the technical documents as an index to select the appropriate drawing. The drawing file name is printed at the bottom right corner of the page.



PRODUCT DETAIL

Wood panels with TwinPoint Gen2 double handle, keyed, long

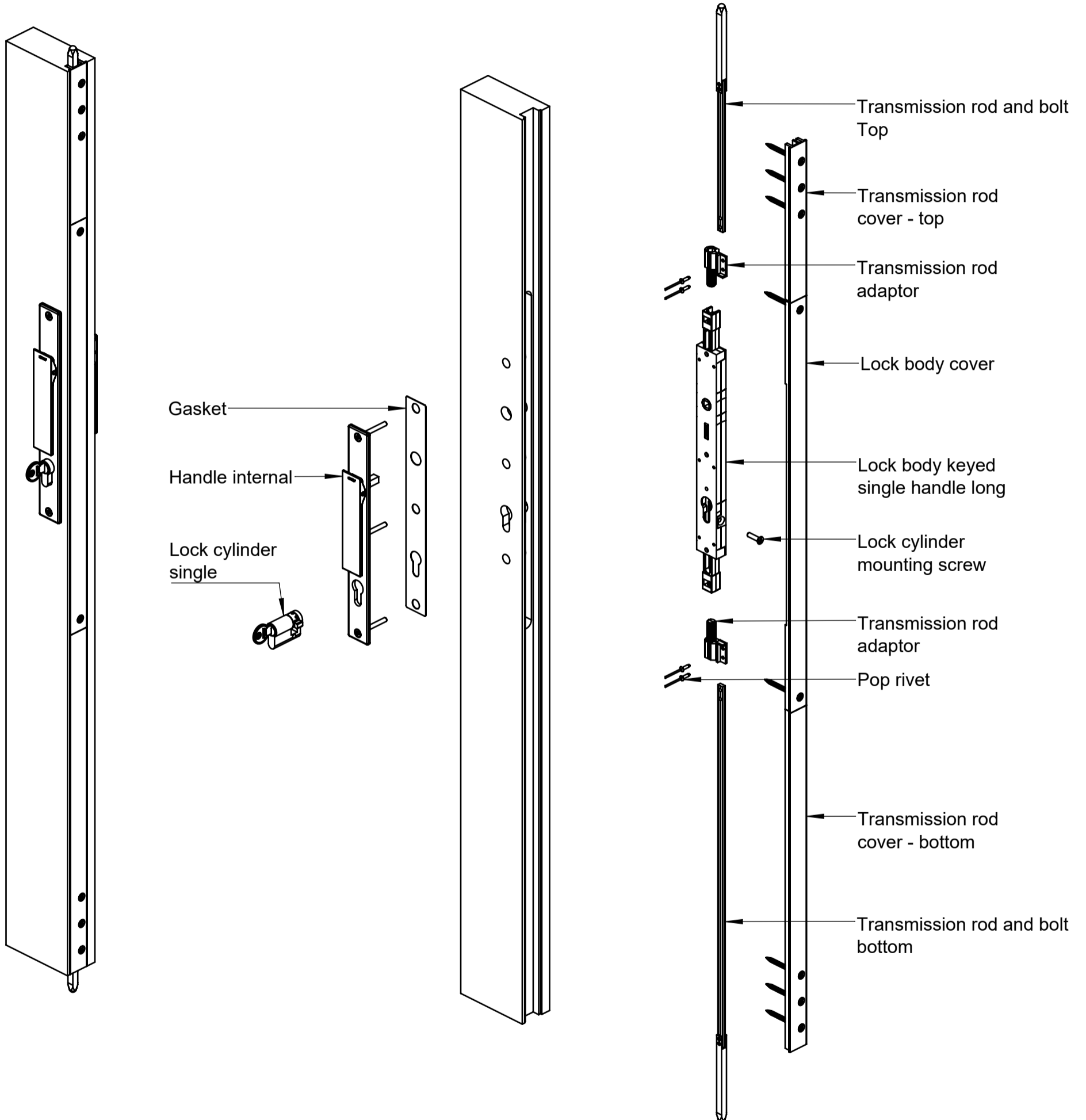


Notes:

1. Stainless steel double handle, keyed, long shown. Zinc diecast double handle, keyed, long is fitted the same way.
2. Gasket not required for zinc diecast handles.

PRODUCT DETAIL

Wood panels with TwinPoint Gen2 single handle, keyed, long

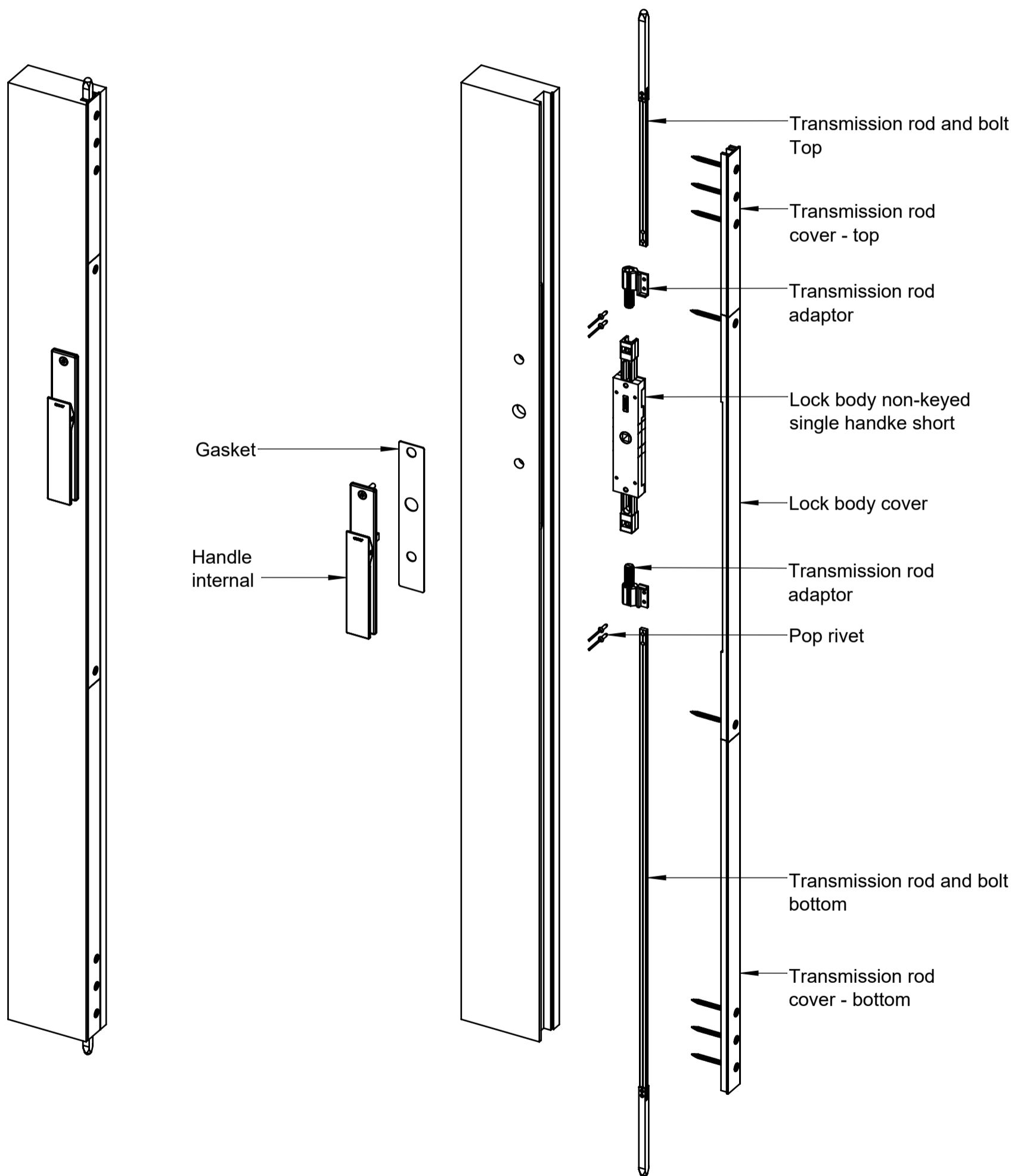


Notes:

1. Stainless steel single handle, keyed, long shown. Zinc diecast single handle, keyed, long is fitted the same way.
2. Gasket not required for zinc diecast handles.

PRODUCT DETAIL

Wood panels with TwinPoint Gen2 single handle, non-keyed, short

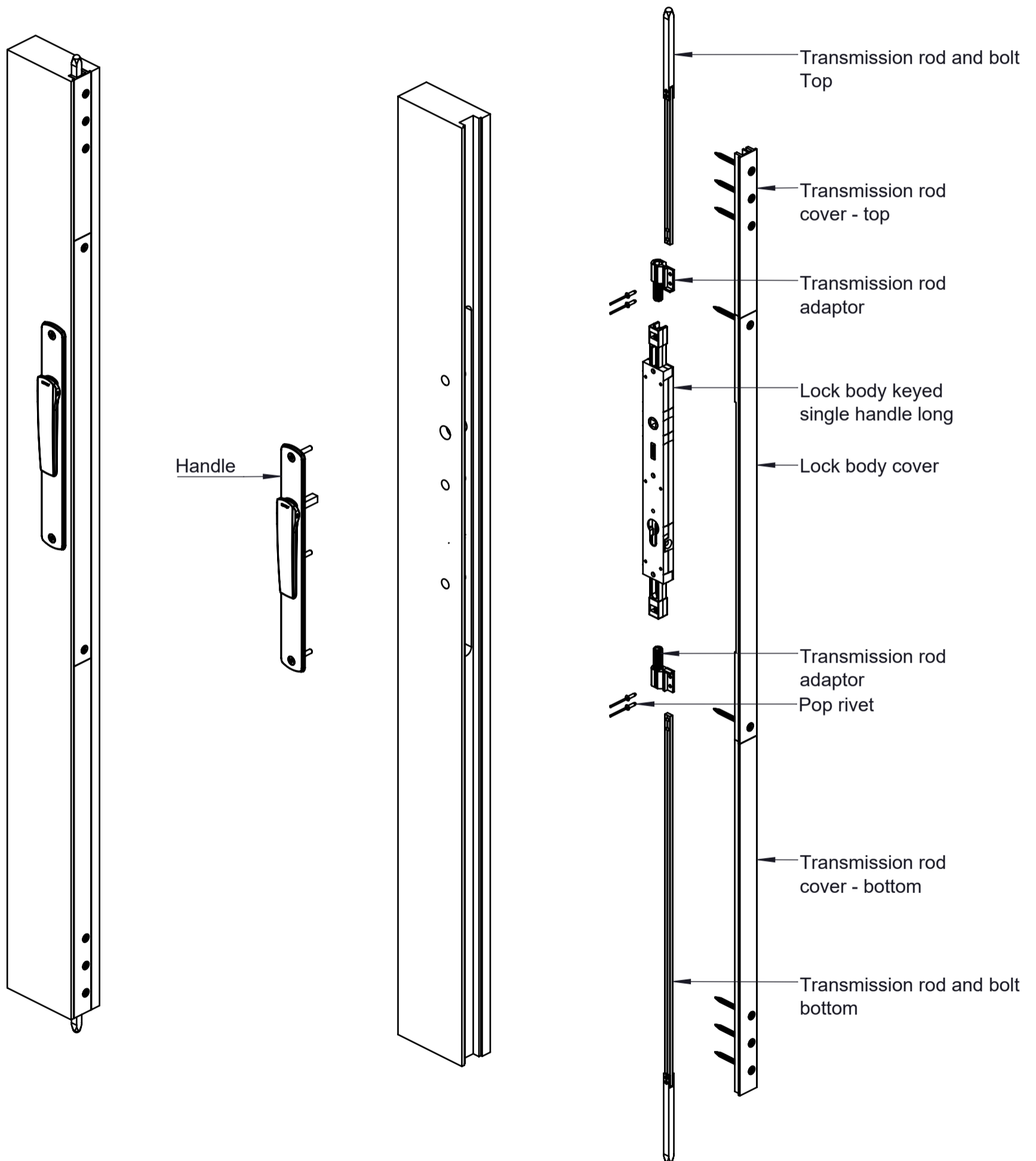


Notes:

1. Stainless steel single handle, non-keyed, short shown. Zinc diecast single handle, non-keyed, short is fitted the same way.
2. Gasket not required for zinc diecast handles.

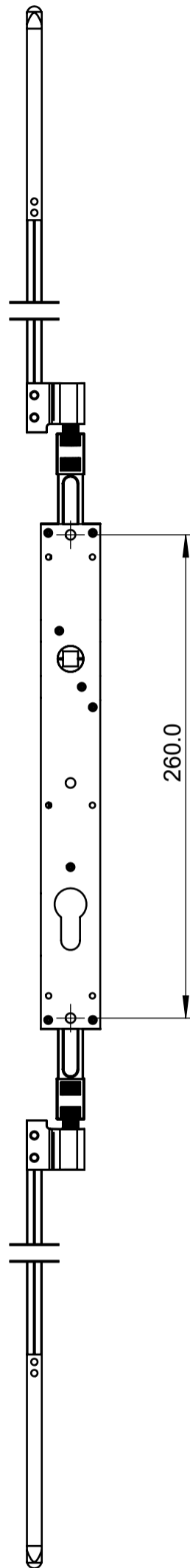
PRODUCT DETAIL

Wood panels with TwinPoint Gen2 zinc diecast single handle, non-keyed, long

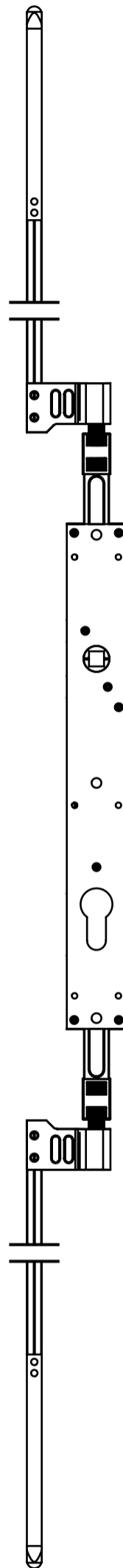


ASSEMBLY DETAIL

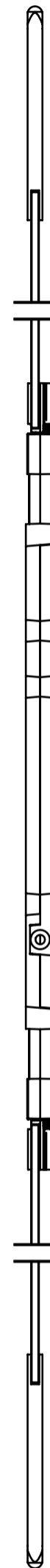
Keyed



Backset 26mm



Backset 40mm

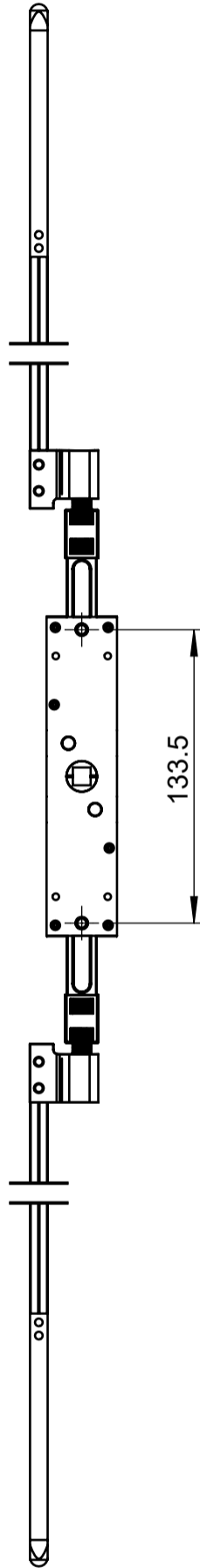


Notes:

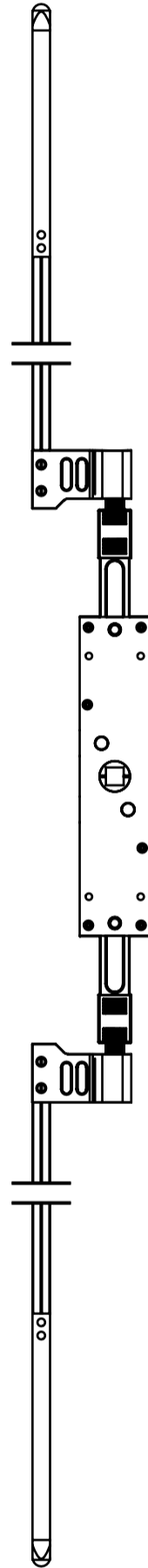
1. Lock shown in extended state.

ASSEMBLY DETAIL

Non-keyed



Backset 26mm



Backset 40mm

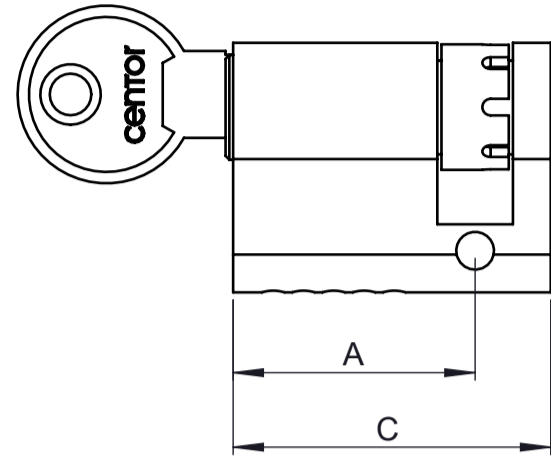


Notes:

- 1. Lock shown in extended state.

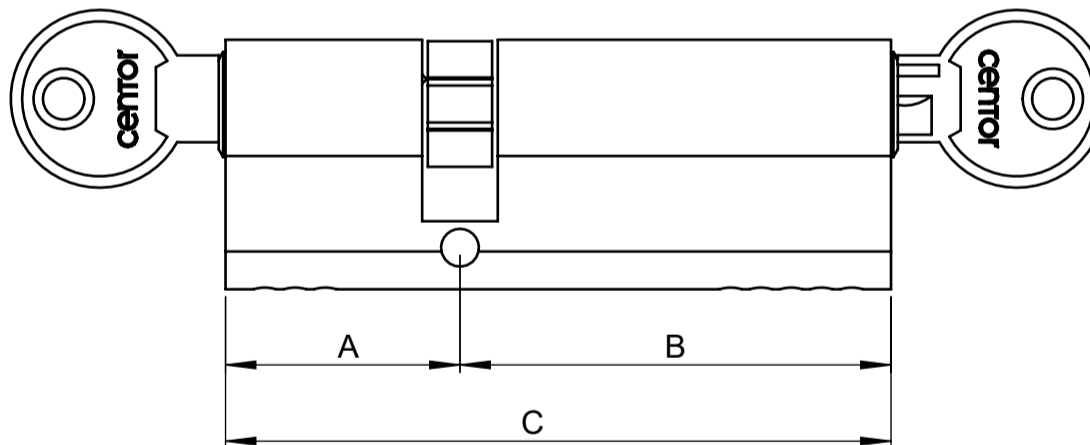
Single cylinder size

Cylinder item number	Dimension (mm)		Opening
	A	C	
TPL-022-*	23	33	Outward
TPL-023-*	32	42	
TPL-064-35-*	35	45	Inward
TPL-064-40-*	40	50	
TPL-064-45-*	45	55	
TPL-064-50-*	50	60	
TPL-064-55-*	55	65	
TPL-064-60-*	60	70	
TPL-064-65-*	65	75	
TPL-064-70-*	70	80	
TPL-064-75-*	75	85	

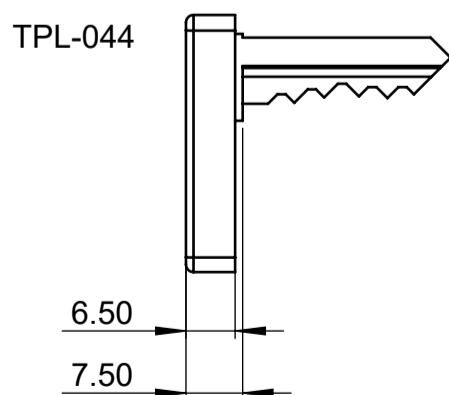


Double cylinder size - 6 pin security

Cylinder item number	Dimension (mm)			Opening
	A	B	C	
TPL-050-65-*	30	35	65	Any
TPL-050-70-*	30	40	70	
TPL-050-75-*	30	45	75	
TPL-050-80-*	30	50	80	
TPL-050-85-*	30	55	85	
TPL-050-90-*	30	60	90	
TPL-050-95-*	30	65	95	
TPL-050-100-*	30	70	100	
TPL-050-105-*	30	75	105	



Key with thumb turn - C4 keyway



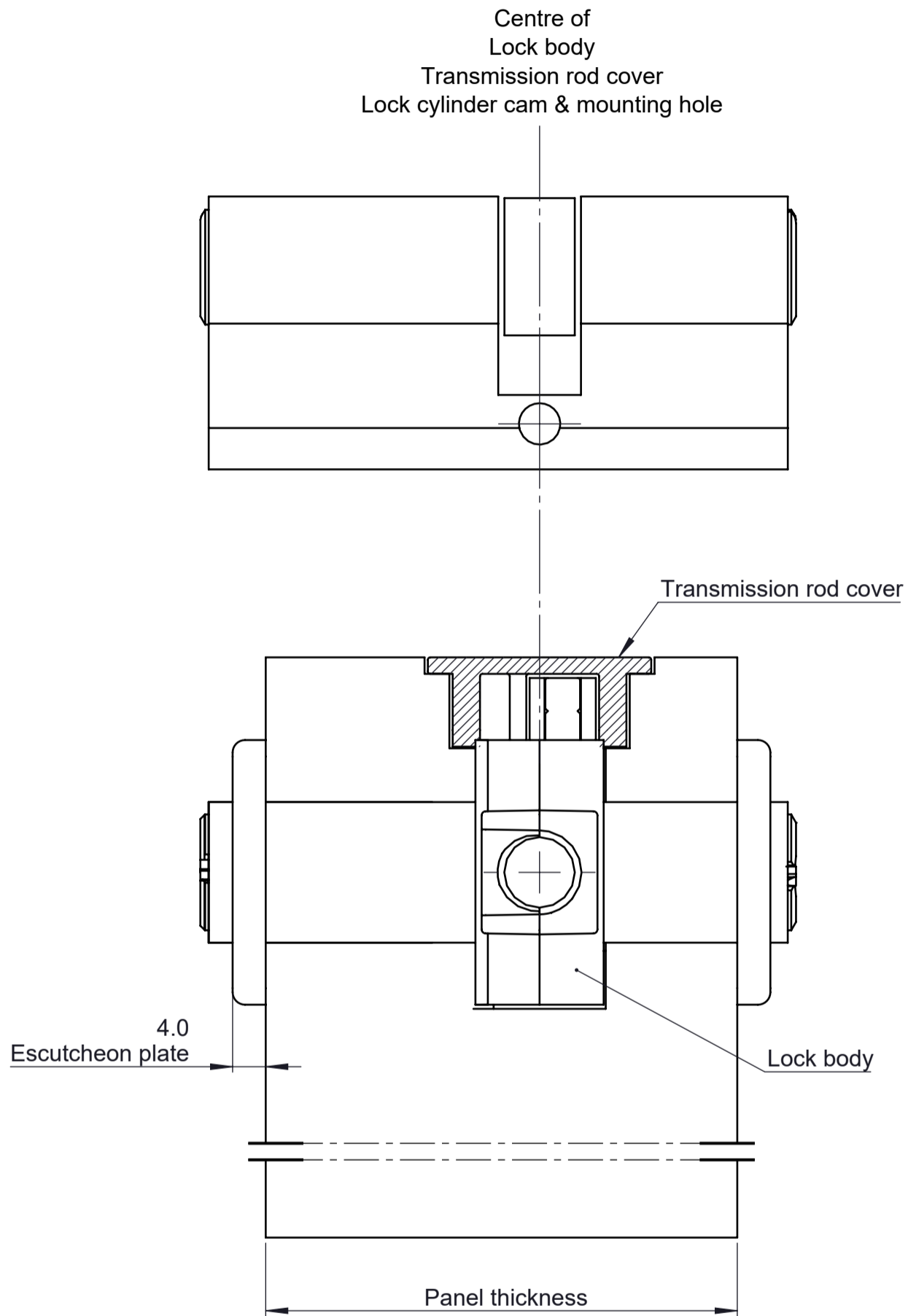
TPL-044 is a 5-pin key with a low profile thumb turn. It will not hit and dent the opposite stile if it is left in the lock. It can only be used with cylinders TPL-022-KA-* and TPL-023-KA-*

Notes:

1. All single cylinders can be rehanded and the rehanding instruction is provided in the cylinder kit.

LOCK CYLINDER DETAILS

Lock cylinder positioning



Notes:

1. Double cylinder shown. Single cylinders are positioned the same way.

LOCK CYLINDER DETAILS

Single cylinders – outward

Cylinder item number	Cover offset	Panel thickness
TPL-022-*	4	Any size
TPL-023-*	12	

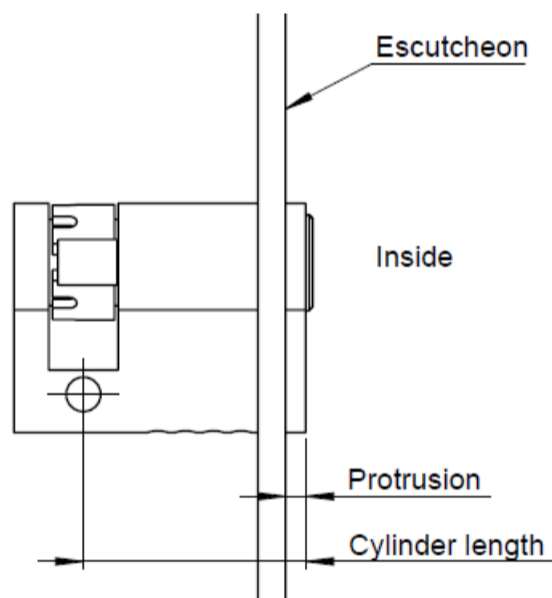
Single cylinders – inward with 12mm cover offset

Cylinder item number: TPL-064-*

Panel thickness	54	55	56	57	58	59	60	61	62	63	64	65		
Cylinder length	35					40					45			
Cylinder protrusion	3	2	1	0	-1	4	3	2	1	0	-1	4	3	2

Panel thickness	66	67	68	69	70	71	72	73	74	75	76	77	78	79	80			
Cylinder length	45			50					55					60				
Cylinder protrusion	1	0	-1	4	3	2	1	0	-1	4	3	2	1	0	-1	4	3	2

Panel thickness	81	82	83	84	85	86	87	88	89	90	91	92	93	94	95	96	97	98			
Cylinder length	60			65					70					75							
Cylinder protrusion	1	0	-1	4	3	2	1	0	-1	4	3	2	1	0	-1	4	3	2	1	0	-1



Lock cylinders are produced in increments of 5mm which means there are design choices at the transition between panel thicknesses.

Example 58mm thick panel

Options

1. Change panel thickness to either 57 or 59mm.
2. Select 35mm long cylinder. The cylinder is recessed 1mm below the escutcheon and may be considered substandard.
3. Select 40mm long cylinder. The cylinder protrudes 4mm past the escutcheon which may contravene local security standards.

LOCK CYLINDER DETAILS

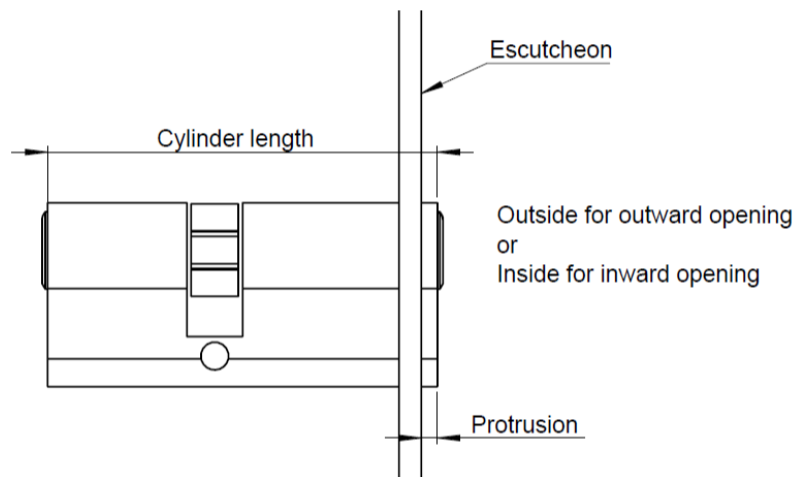
Double cylinders – outward & inward

Cylinder item number: TPL-050-*

Panel thickness	54	55	56	57	58	59	60	61	62	63	64	65		
Cylinder length	65				70				75					
Cylinder protrusion	3	2	1	0	-1	4	3	2	1	0	-1	4	3	2

Panel thickness	66	67	68	69	70	71	72	73	74	75	76	77	78	79	80			
Cylinder length	75			80				85				90						
Cylinder protrusion	1	0	-1	4	3	2	1	0	-1	4	3	2	1	0	-1	4	3	2

Panel thickness	81	82	83	84	85	86	87	88	89	90	91	92	93	94	95	96	97	98			
Cylinder length	90		95					100					105								
Cylinder protrusion	1	0	-1	4	3	2	1	0	-1	4	3	2	1	0	-1	4	3	2	1	0	-1



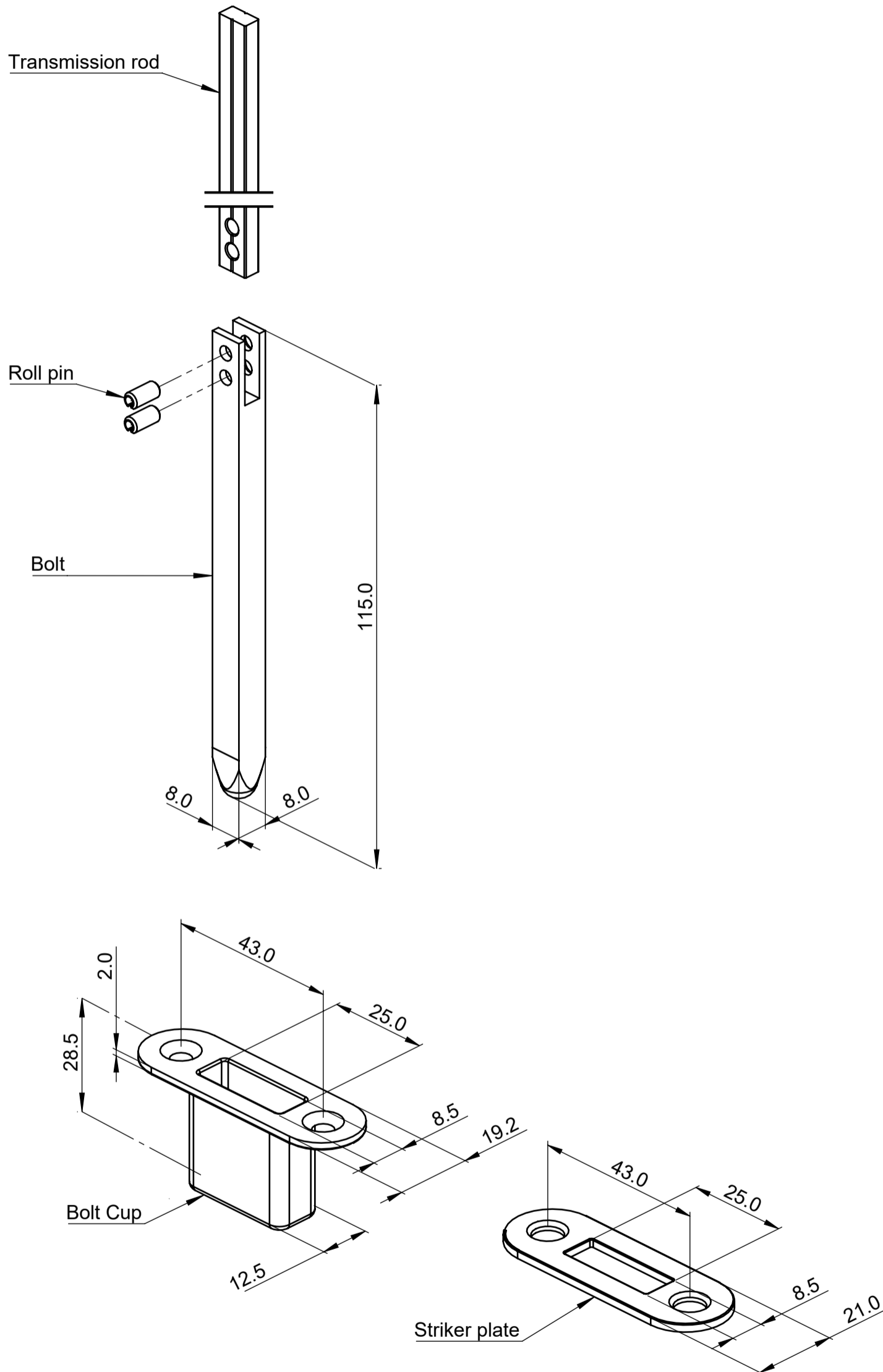
Lock cylinders are produced in increments of 5mm which means there are design choices at the transition between panel thicknesses.

Example 58mm thick panel

Options

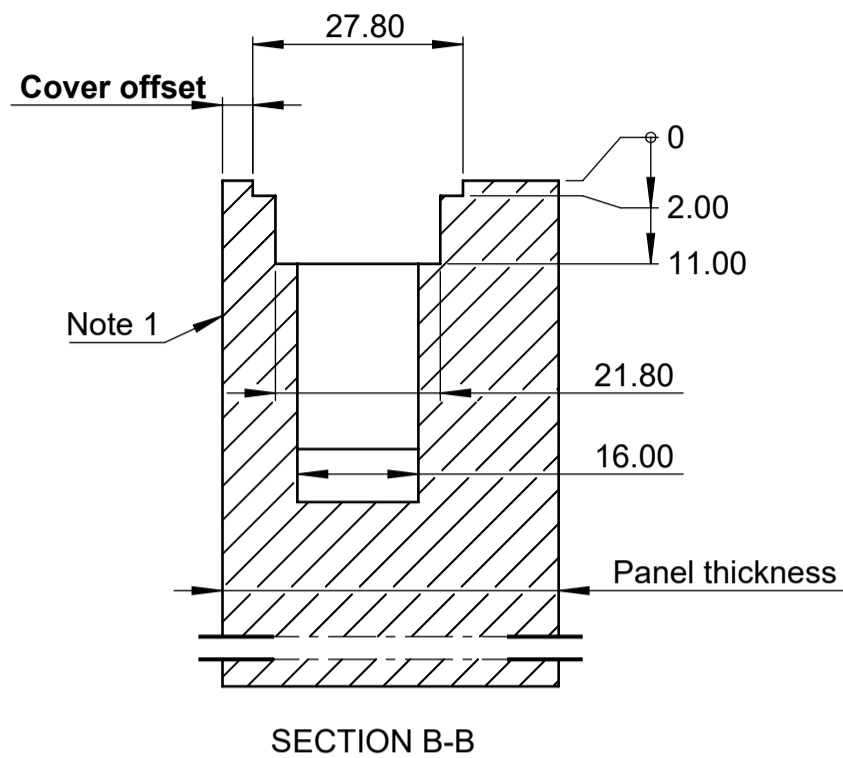
1. Change panel thickness to either 57 or 59mm.
2. Select 65mm long cylinder. The cylinder is recessed 1mm below the escutcheon and may be considered substandard.
3. Select 70mm long cylinder. The cylinder protrudes 4mm past the escutcheon which may contravene local security standards.

BOLT AND CUP/STRIKE PLATE DETAIL



ROUTING DETAIL - LOCK BODY

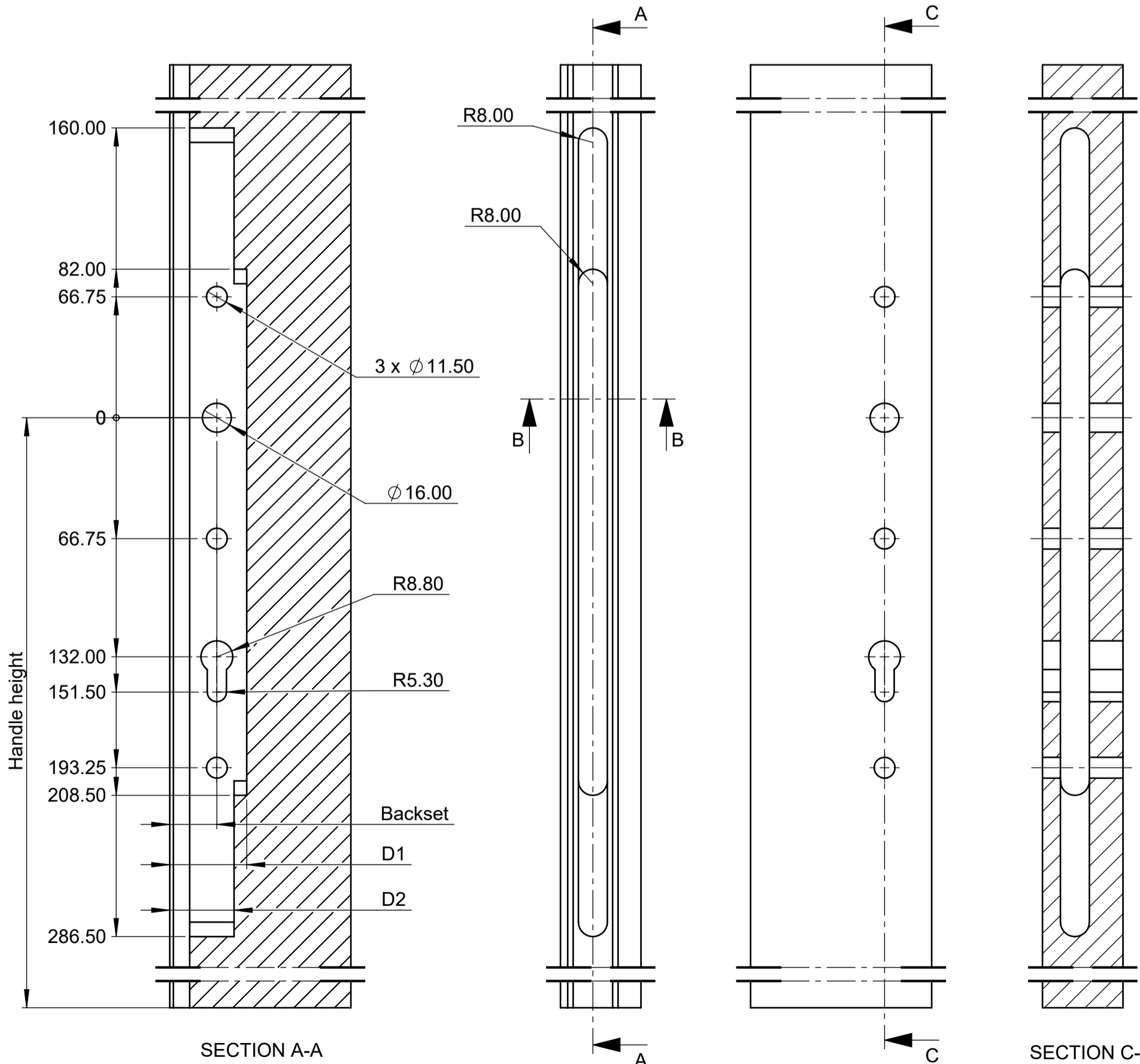
Double handle, keyed, long



Backset (mm)	D1 (mm)	D2 (mm)
26.0	42.5	35.5
40.0	56.5	49.5

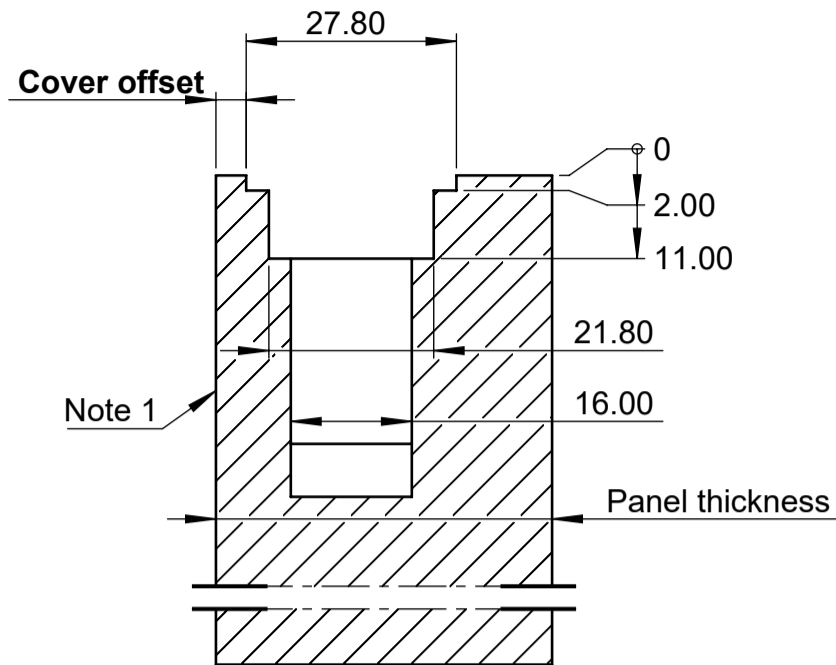
Notes:

1. Inside for outward opening or outside for inward opening.
2. Dimension "Cover offset" refers to section ROUTING DETAIL - Transmission rod cover.



ROUTING DETAIL - LOCK BODY

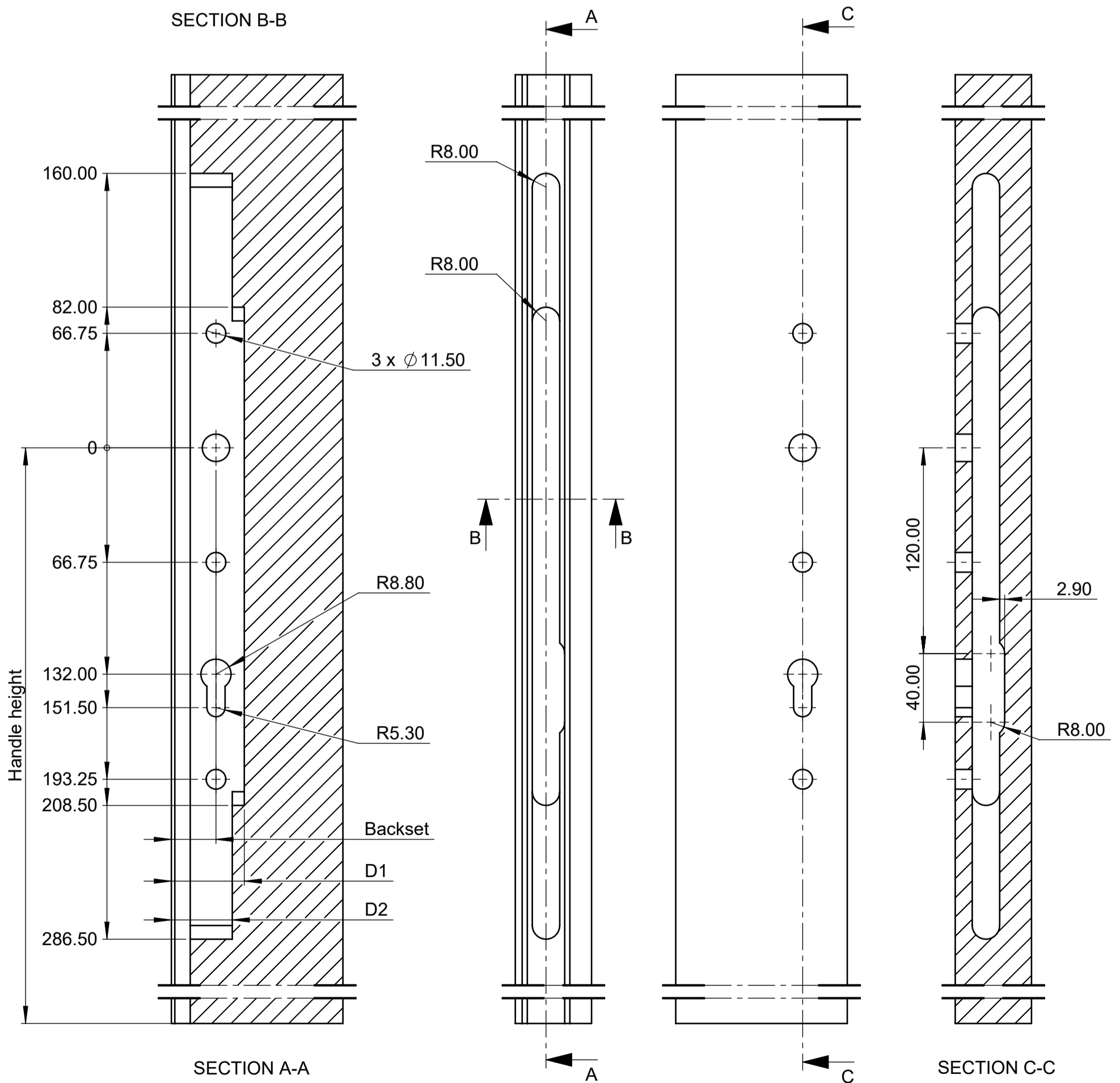
Single handle, keyed, long



Backset (mm)	D1 (mm)	D2 (mm)
26.0	42.5	35.5
40.0	56.5	49.5

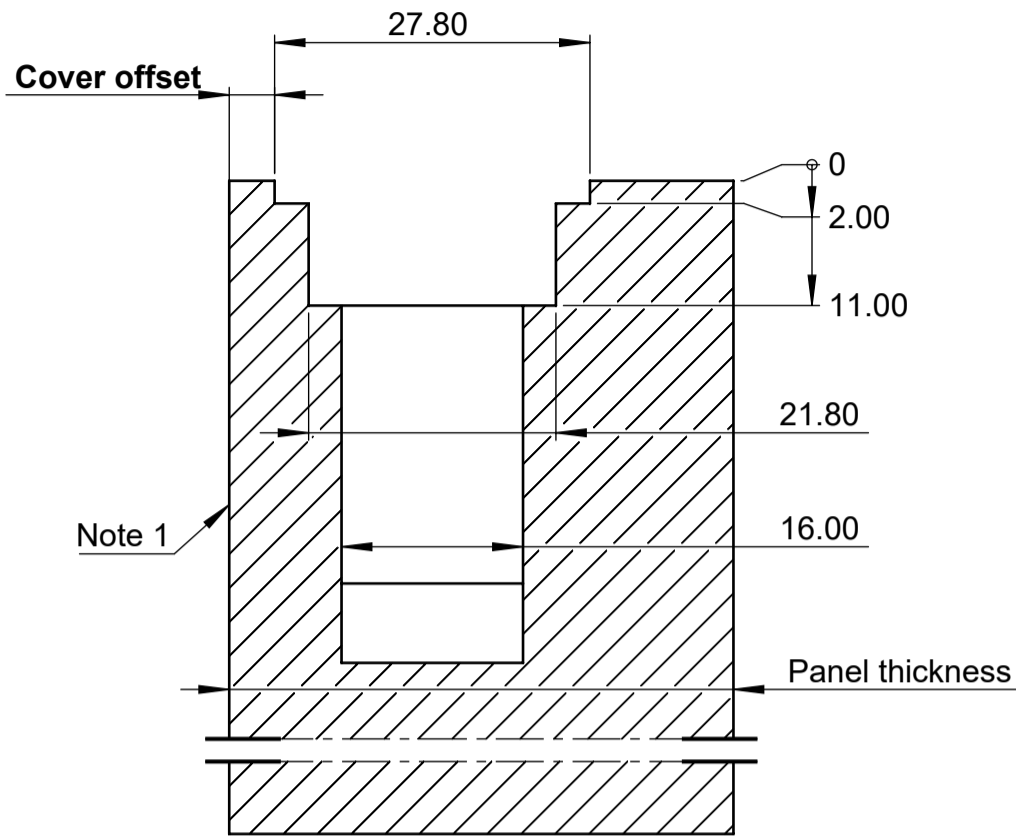
Notes:

1. Inside for outward opening or outside for inward opening.
2. Dimension "Cover offset" refers to section ROUTING DETAIL - Transmission rod cover.



ROUTING DETAIL - LOCK BODY

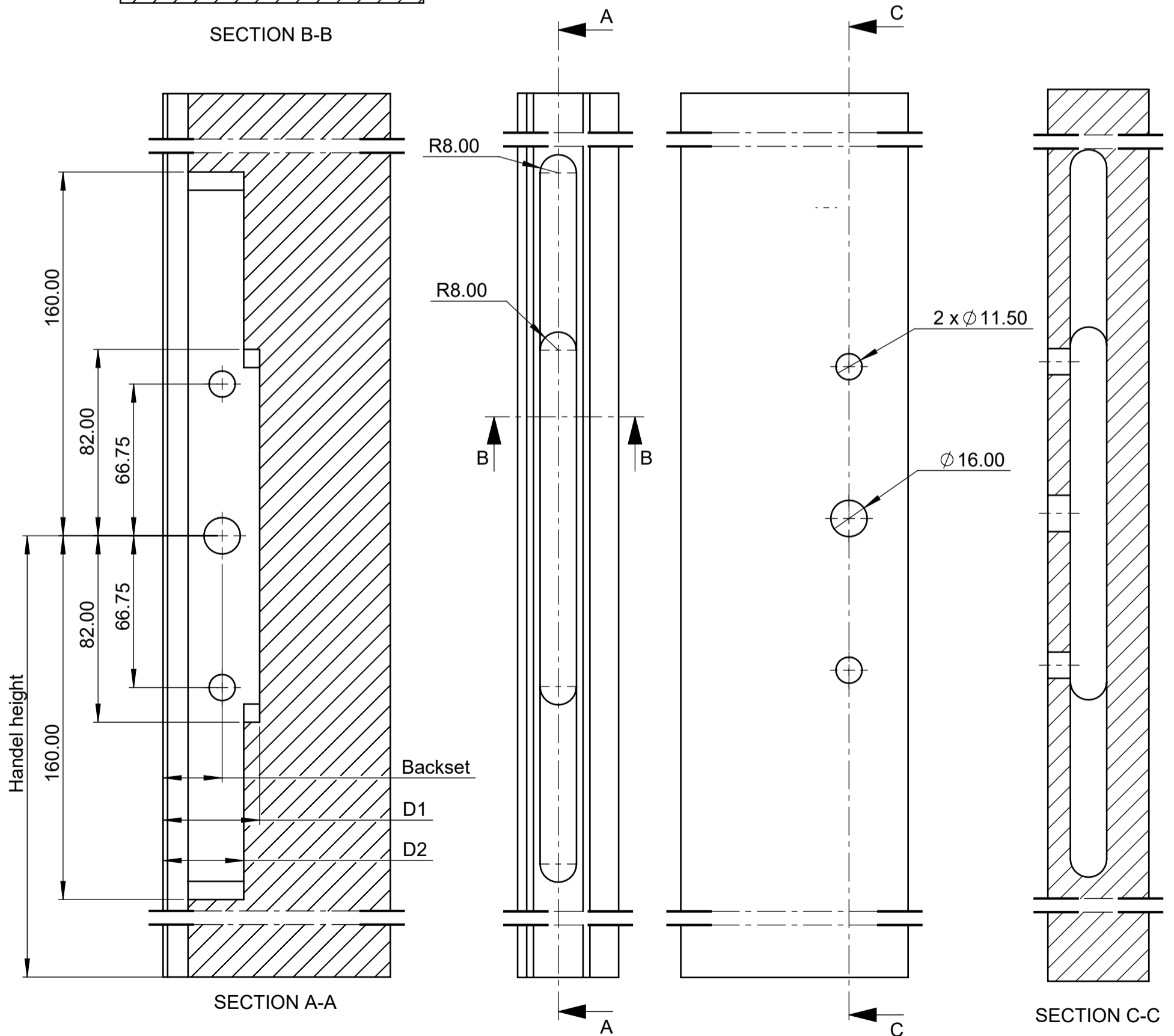
Single handle, non-keyed, short



Backset (mm)	D1 (mm)	D2 (mm)
26.0	42.5	35.5
40.0	56.5	49.5

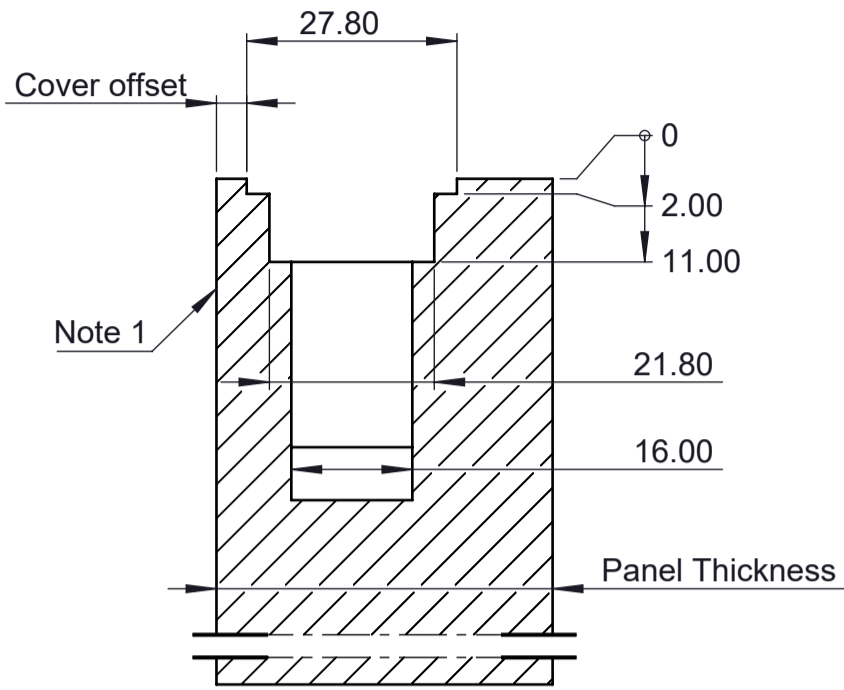
Notes:

1. Inside for outward opening or outside for inward opening.
2. Dimension "Cover offset" refers to section ROUTING DETAIL - Transmission rod cover.



ROUTING DETAIL - LOCK BODY

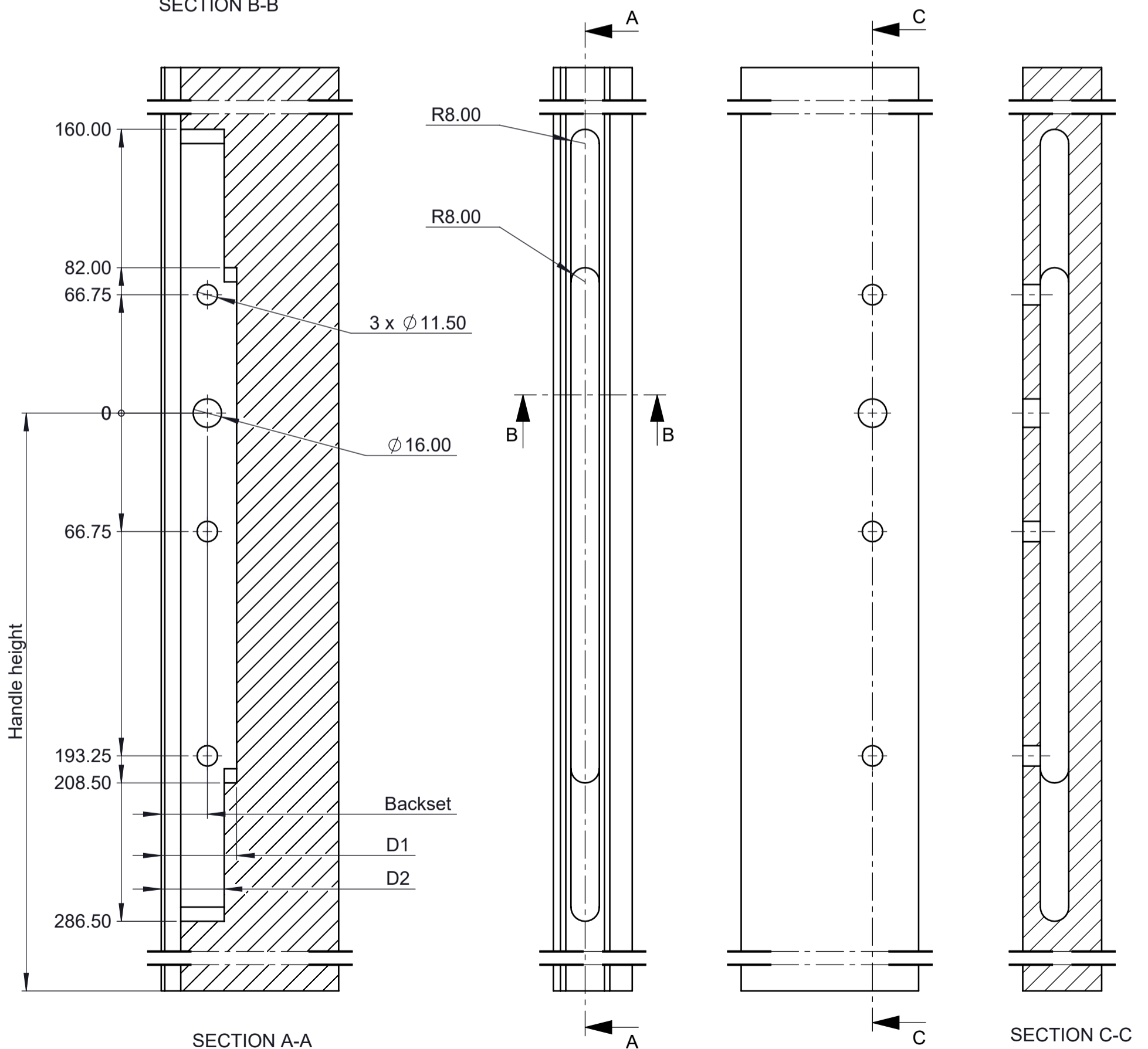
Single handle, non-keyed, long



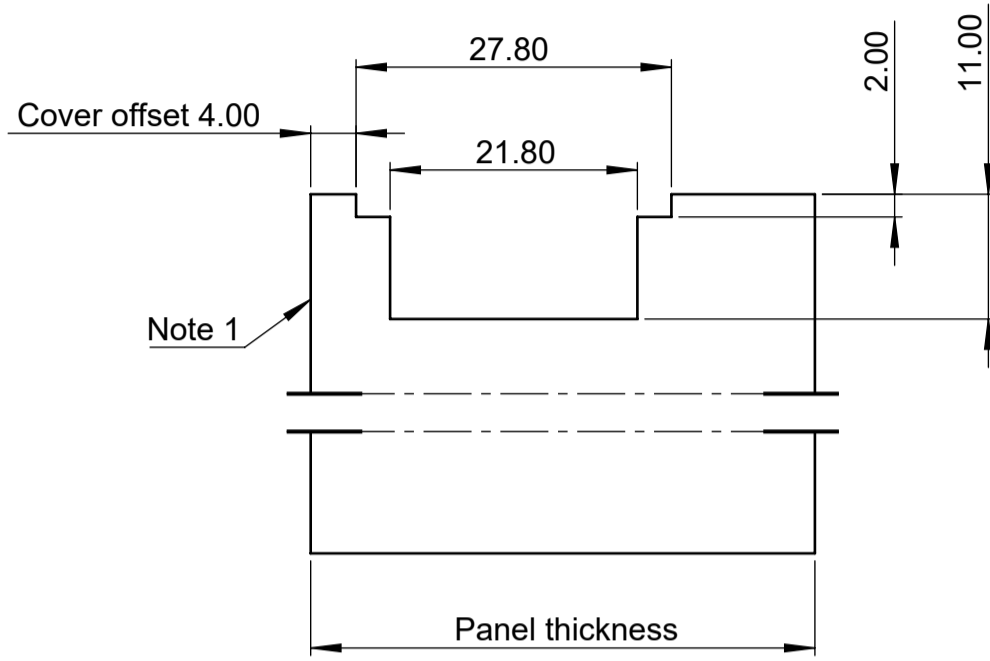
Backset (mm)	D1 (mm)	D2 (mm)
26.0	42.5	35.5
40.0	56.5	49.5

Notes:

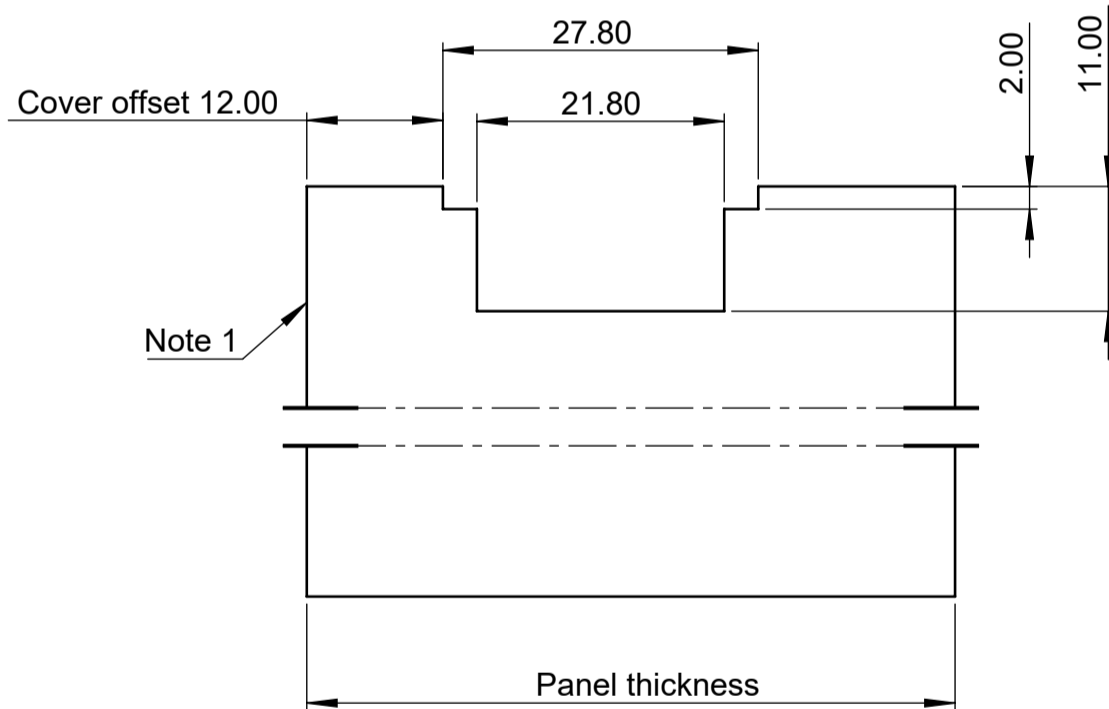
1. Inside for outward opening or outside for inward opening.
2. Dimension "Cover offset" refers to section ROUTING DETAIL - Transmission rod cover.



ROUTING DETAIL - TRANSMISSION ROD COVER



Routing for 4.0mm cover offset

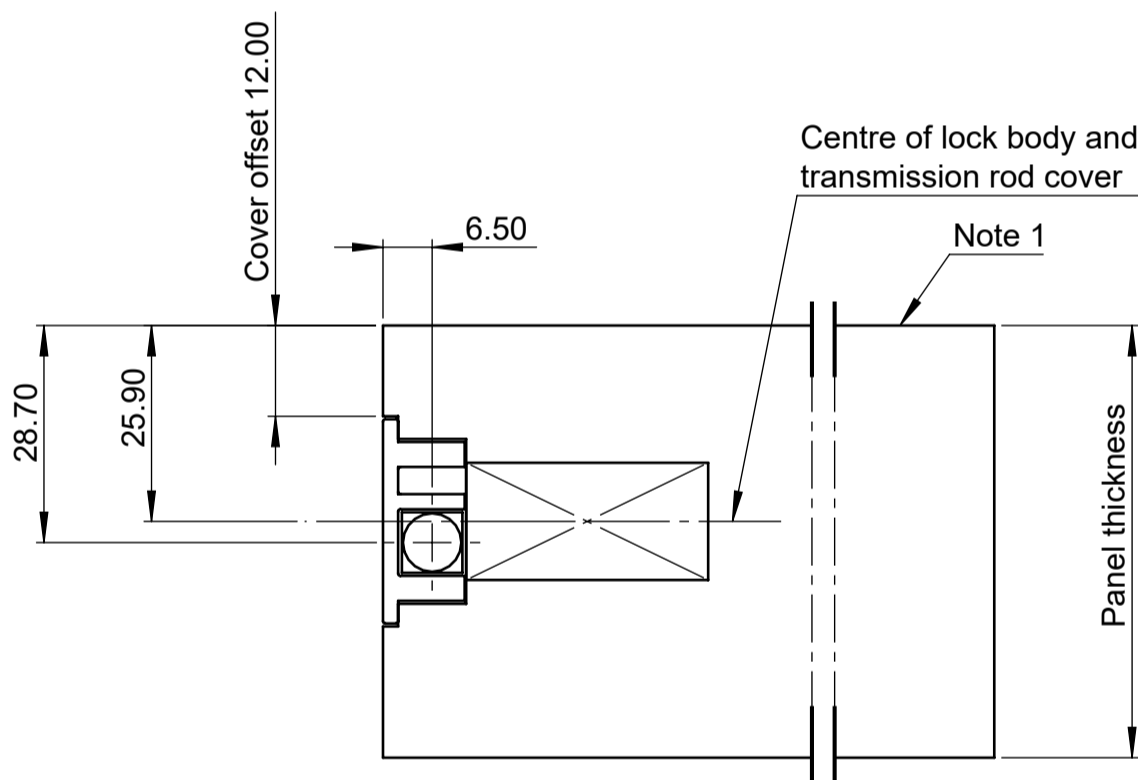
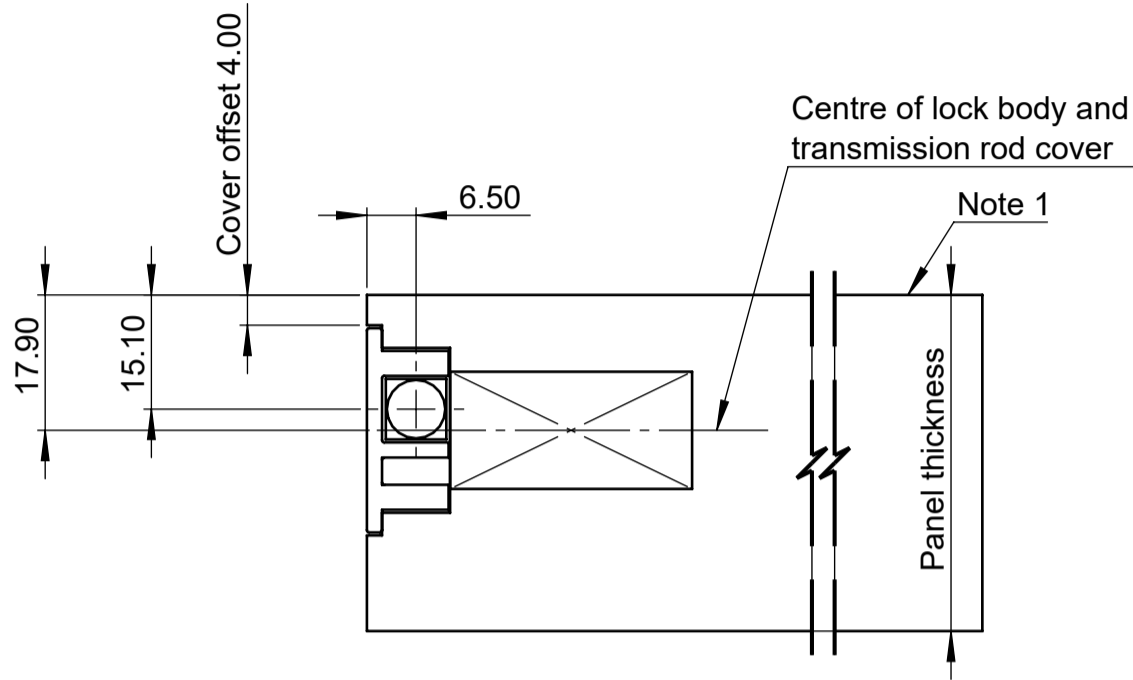


Routing for 12.0mm cover offset

Notes:

1. Inside for outward opening or outside for inward opening.
2. Apply machining to the full length of the stile.

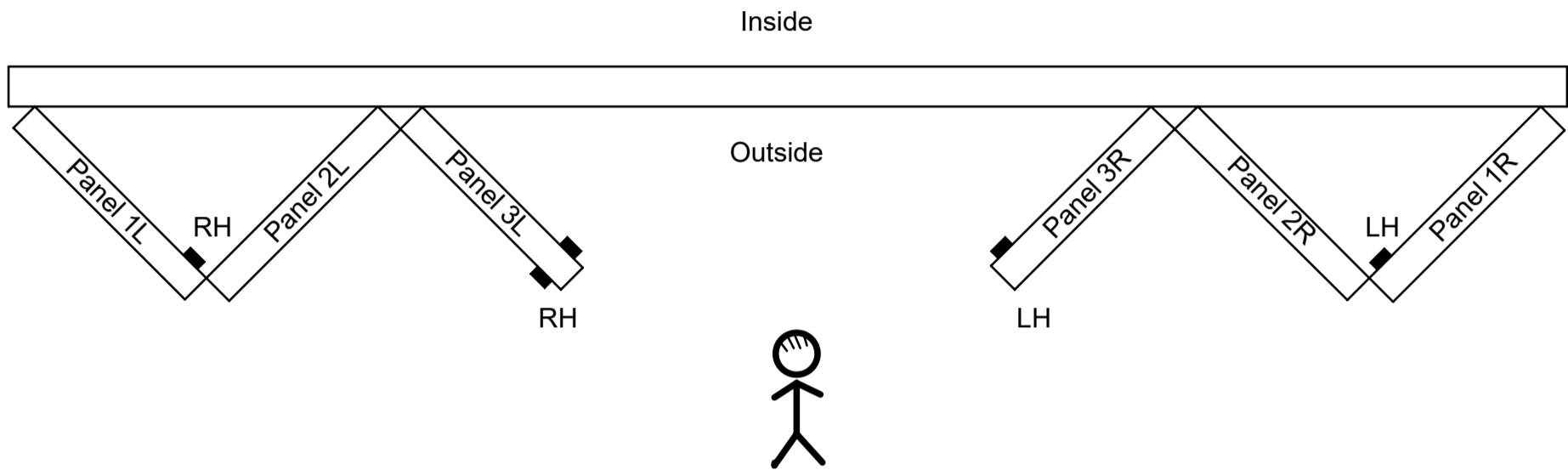
LOCK BODY AND BOLT POSITION IN STILE



Notes:

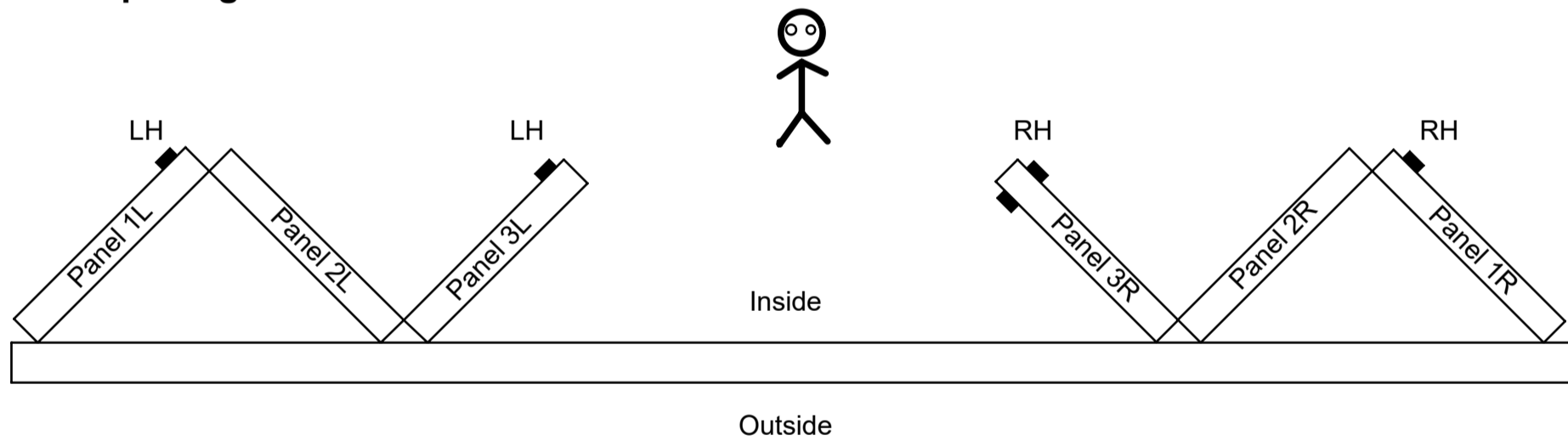
1. Inside for outward opening or outside for inward opening.

Outward opening



Opening	View	Lock cylinder handing	Location
Outward	From outside	LH - Left hand	Left side of panel
		RH - Right hand	Right side of panel

Inward opening



Opening	View	Lock cylinder handing	Location
Inward	From inside	LH - Left hand	Left side of panel
		RH - Right hand	Right side of panel

Notes:

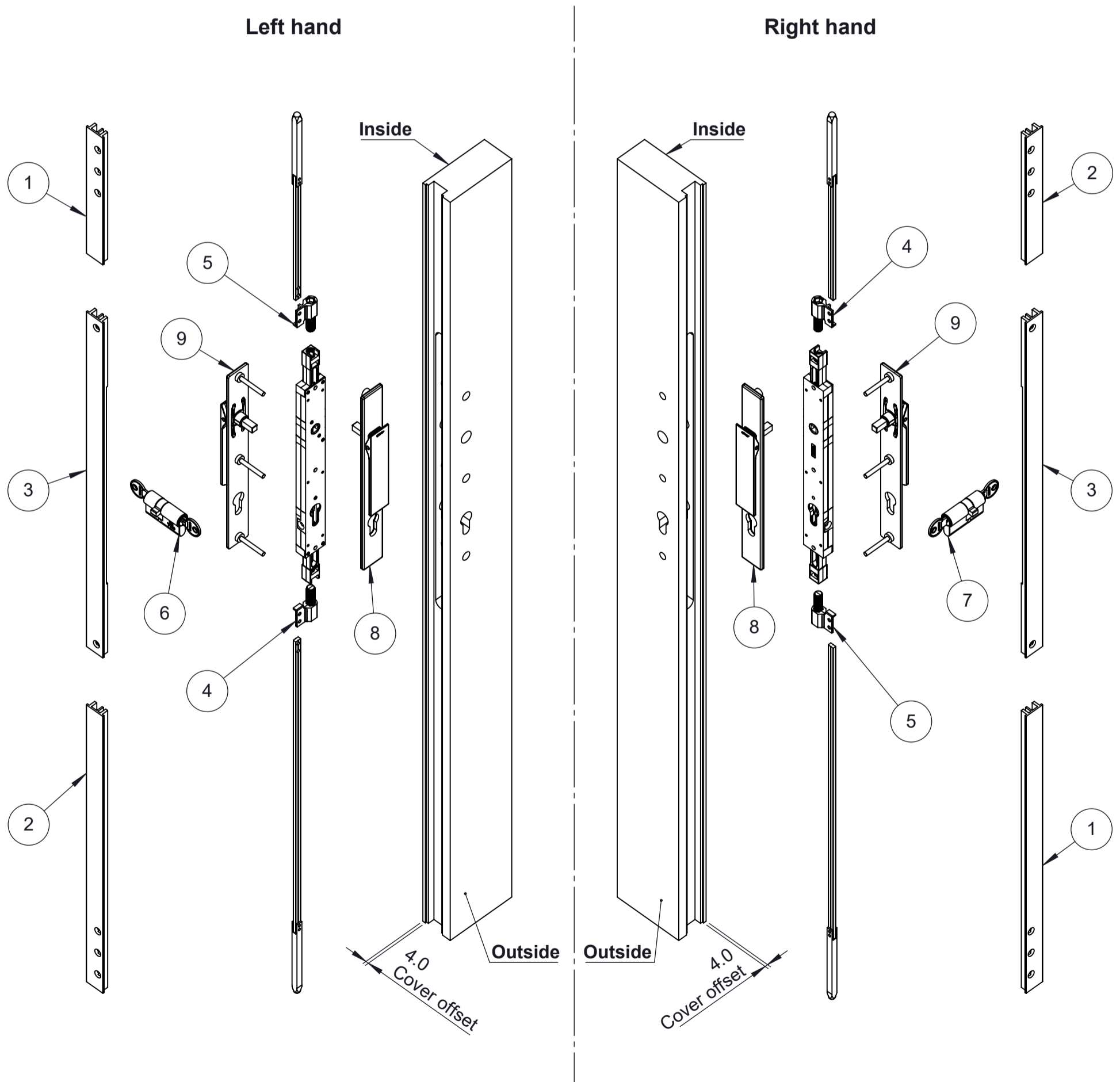
1. Be careful. The viewing position for defining the handing varies for different features.

Panels	Always from outside.
Lock cylinders	Outside for outward opening and inside for inward opening.

HANDING DETAILS

Outward opening with 4mm cover offset

Item number	Description
1	Two covers are supplied with the same length, but are located differently for left hand and right hand lock assemblies. E.g the bottom cover for left will go to the top for right and vice versa.
2	
3	The same lock body cover is used regardless but oriented differently for left and right hand lock assemblies.
4	LKC-518-C for 26mm backset or LKC-518-E for 40mm backset. Part numbers are branded on parts.
5	LKC-518-D for 26mm backset or LKC-518-F for 40mm backset. Part numbers are branded on parts.
6	Left hand lock cylinder (handing indication engraved on cylinder body)
7	Right hand lock cylinder (handing indication engraved on cylinder body)
8	External handle
9	Internal handle

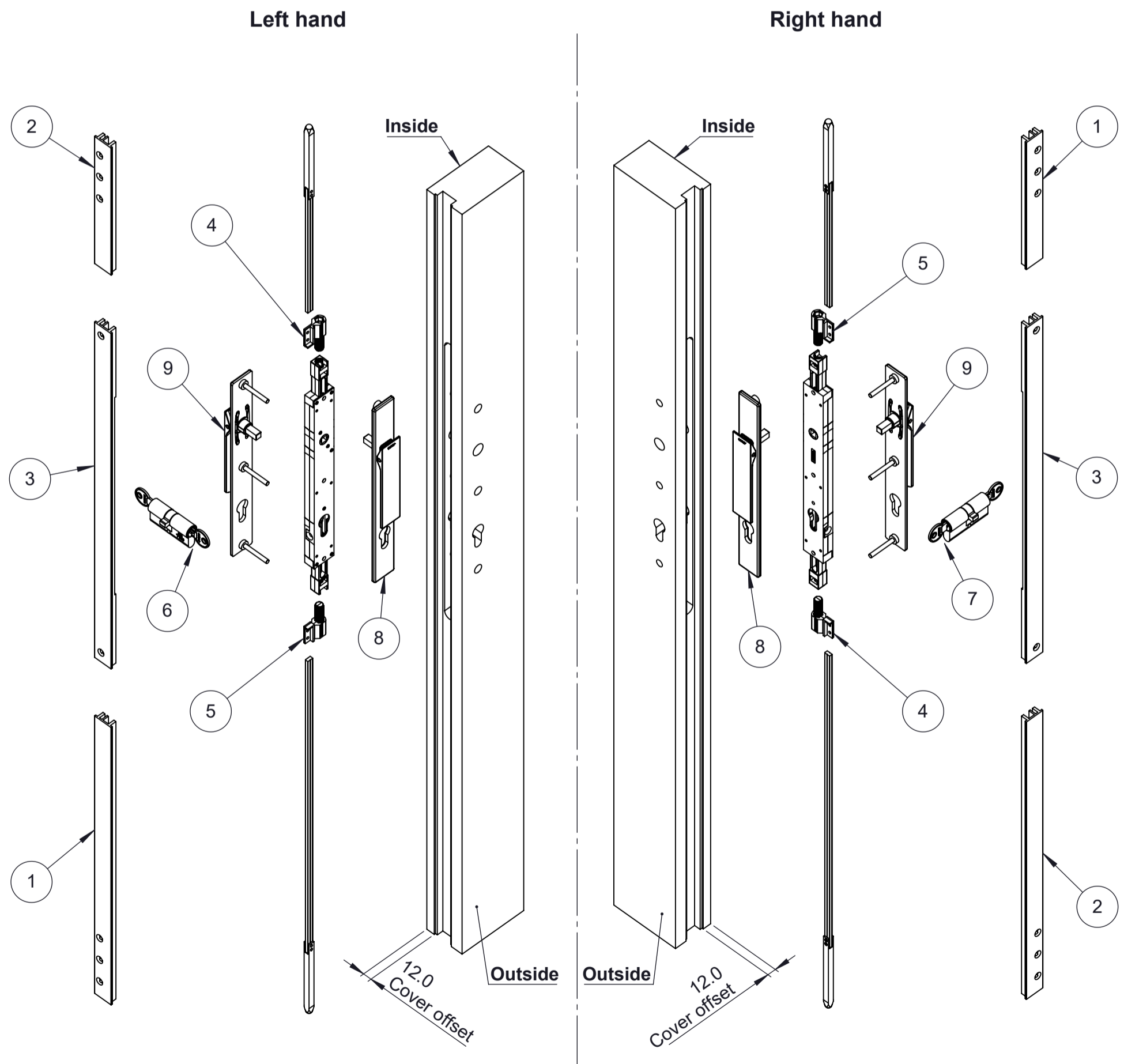


Notes:
Stainless steel handles shown. Zinc diecast handles are fitted the same way.

HANDING DETAILS

Outward opening with 12mm cover offset

Item number	Description
1	Two covers are supplied with the same length, but are located differently for left hand and right hand lock assemblies. E.g the bottom cover for left will go to the top for right and vice versa.
2	
3	The same lock body cover is used regardless but oriented differently for left and right hand lock assemblies.
4	LKC-518-C for 26mm backset or LKC-518-E for 40mm backset. Part numbers are branded on parts.
5	LKC-518-D for 26mm backset or LKC-518-F for 40mm backset. Part numbers are branded on parts.
6	Left hand lock cylinder (handing indication engraved on cylinder body)
7	Right hand lock cylinder (handing indication engraved on cylinder body)
8	External handle
9	Internal handle

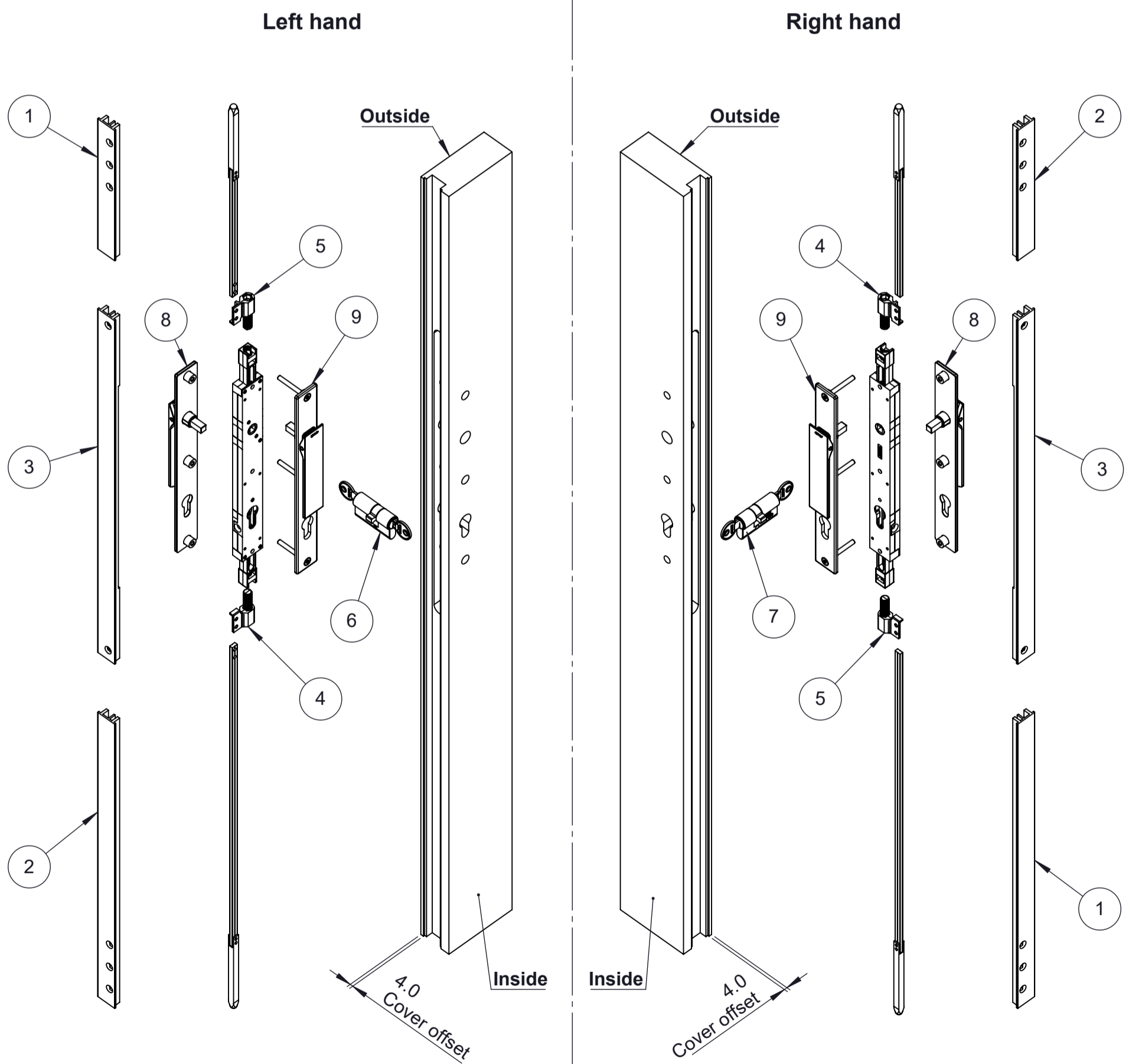


Notes:
 Stainless steel handles shown. Zinc diecast handles are fitted the same way.

HANDING DETAILS

Inward opening with 4mm cover offset

Item number	Description
1	Two covers are supplied with the same length, but are located differently for left hand and right hand lock assemblies. E.g the bottom cover for left will go to the top for right and vice versa.
2	
3	The same lock body cover is used regardless but oriented differently for left and right hand lock assemblies.
4	LKC-518-C for 26mm backset or LKC-518-E for 40mm backset. Part numbers are branded on parts.
5	LKC-518-D for 26mm backset or LKC-518-F for 40mm backset. Part numbers are branded on parts.
6	Left hand lock cylinder (handing indication engraved on cylinder body)
7	Right hand lock cylinder (handing indication engraved on cylinder body)
8	External handle
9	Internal handle

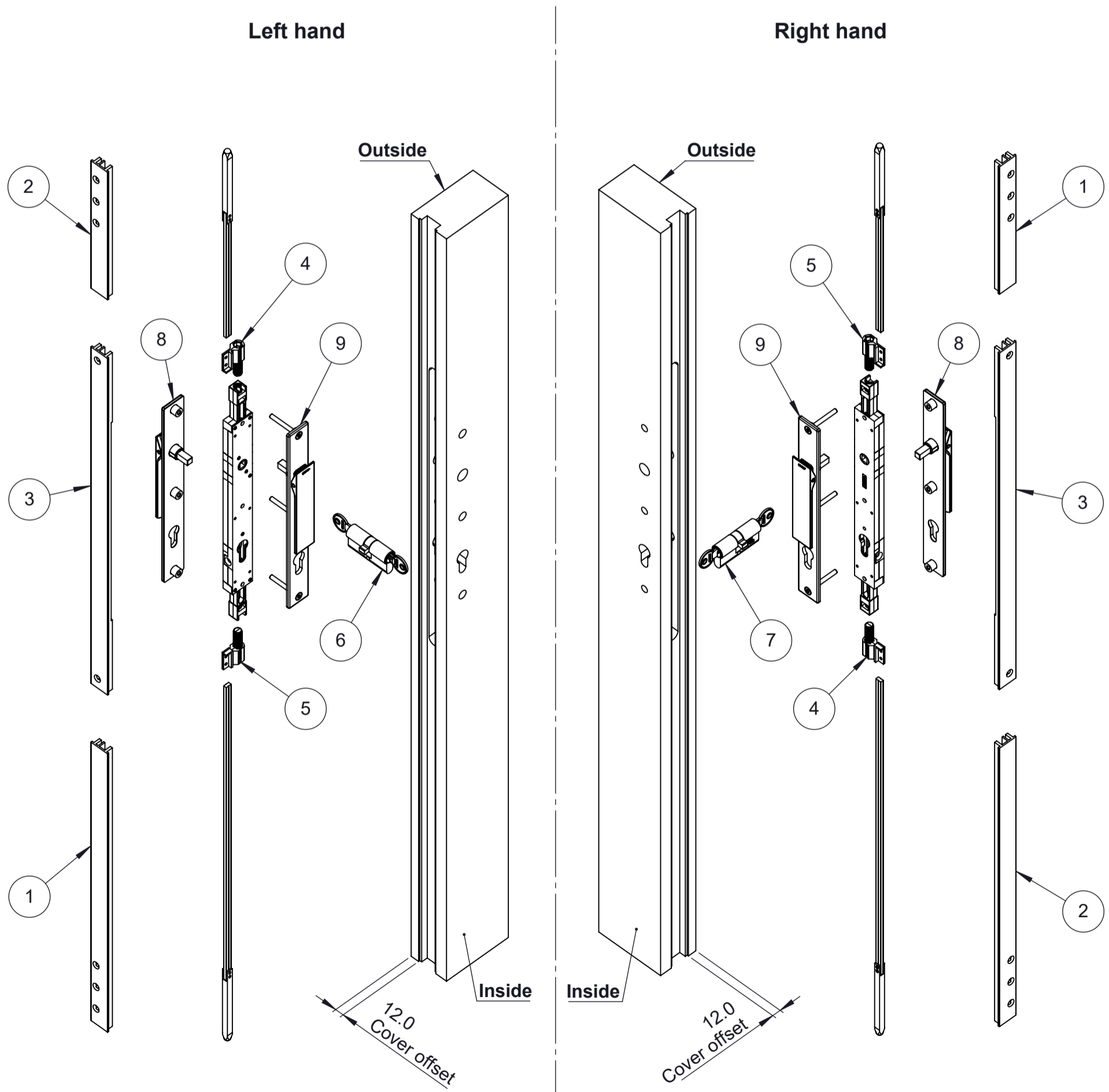


Notes:
 Stainless steel handles shown. Zinc diecast handles are fitted the same way.

HANDING DETAILS

Inward opening with 12mm cover offset

Item number	Description
1	Two covers are supplied with the same length, but are located differently for left hand and right hand lock assemblies. E.g the bottom cover for left will go to the top for right and vice versa.
2	
3	The same lock body cover is used regardless but oriented differently for left and right hand lock assemblies.
4	LKC-518-C for 26mm backset or LKC-518-E for 40mm backset. Part numbers are branded on parts.
5	LKC-518-D for 26mm backset or LKC-518-F for 40mm backset. Part numbers are branded on parts.
6	Left hand lock cylinder (handing indication engraved on cylinder body)
7	Right hand lock cylinder (handing indication engraved on cylinder body)
8	External handle
9	Internal handle



Notes:
Stainless steel handles shown. Zinc diecast handles are fitted the same way.

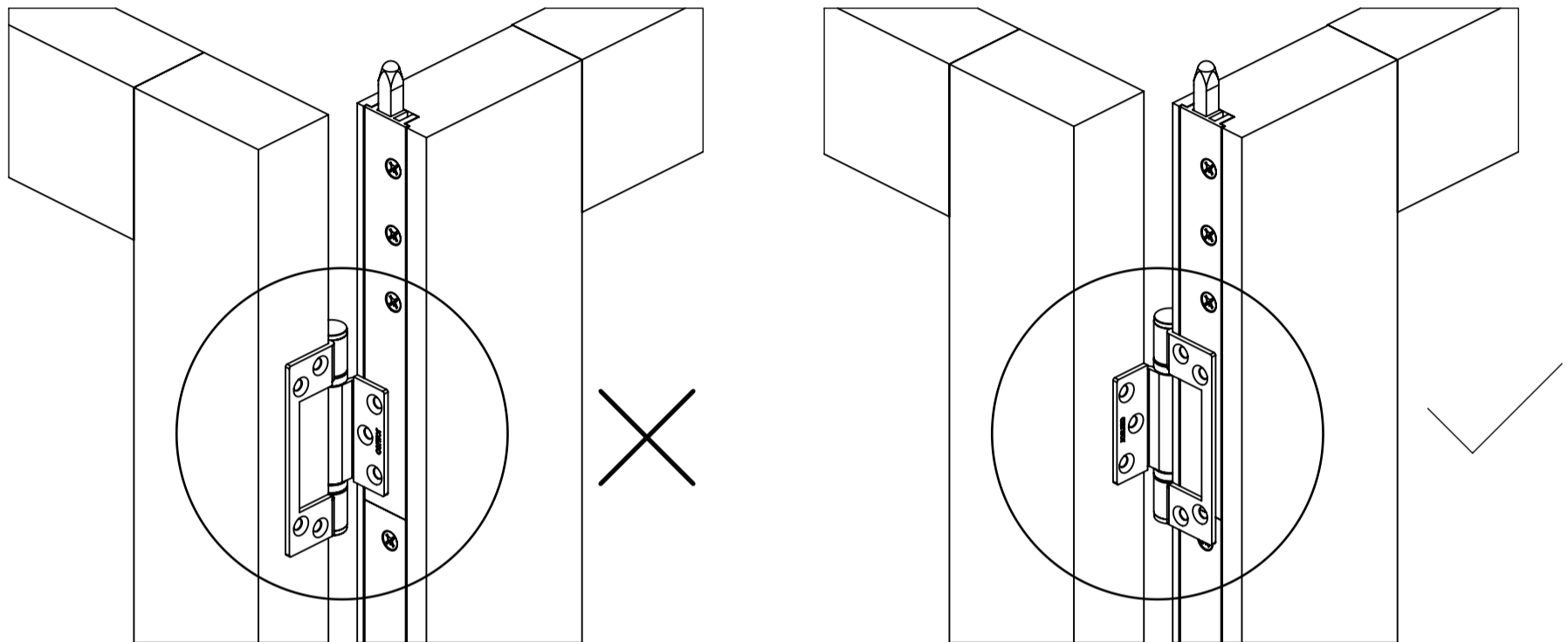
LOCK POSITION TO SUIT FOLDING HARDWARE

E2 and F2

Hinge compatibility

A twin point lock can only be installed with the outer hinge flap as the mounting screws on the inner flap will interfere with transmission rod.

E2 and F2

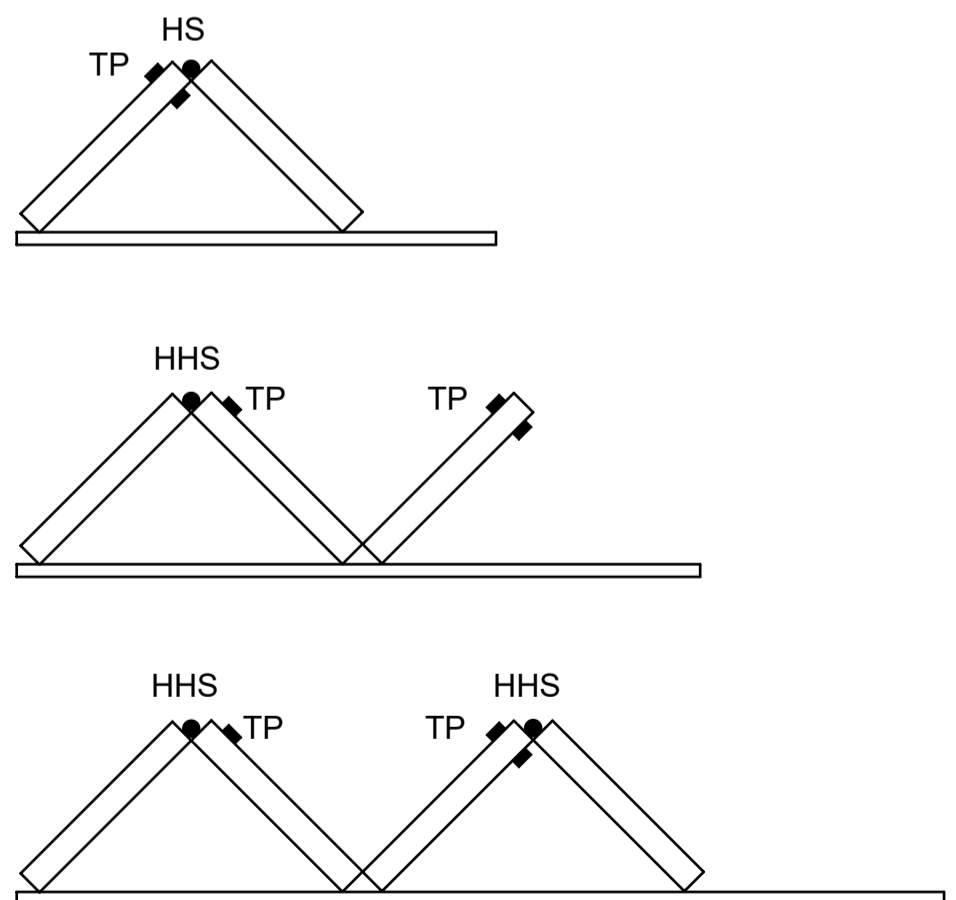
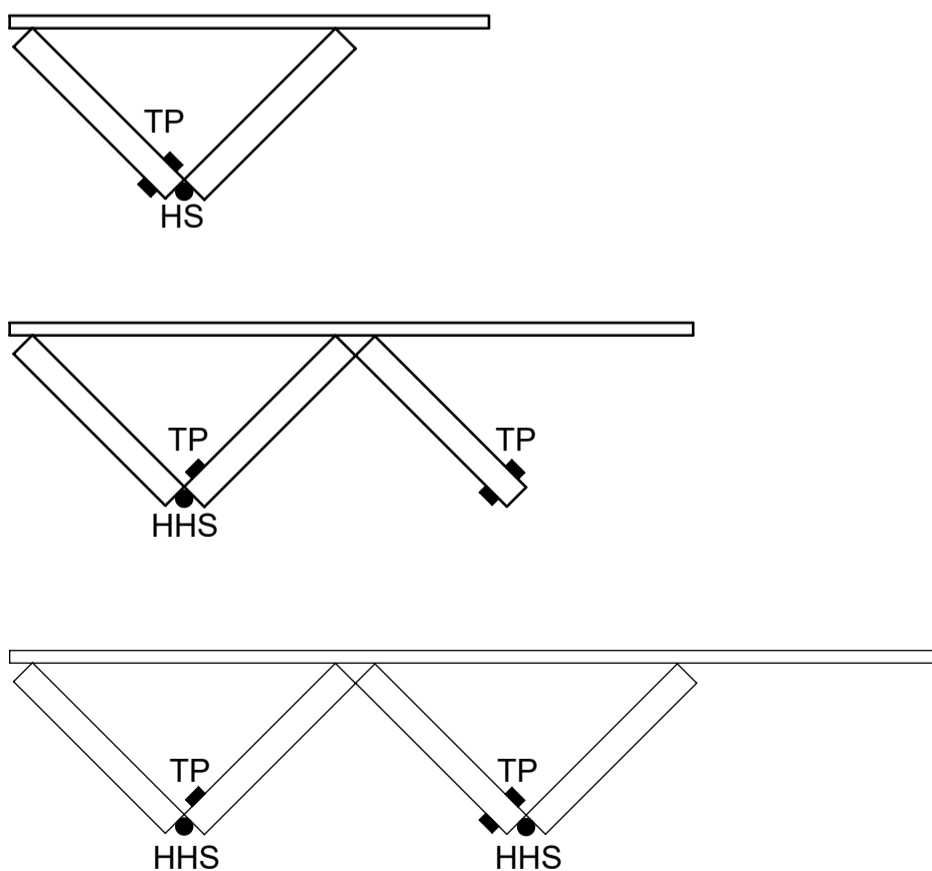


Lock location on panels

E2 and F2 half-offset hinges are handed and cannot be rotated. This means that the twin point lock cannot be installed on a pivot panel or an end carrier panel where a half-offset hinge is used.

Outward opening

Inward opening



- TP - TwinPoint Gen2
- HS - Straight hinge set
- HHS - Half offset hinge set

LOCK POSITION TO SUIT FOLDING HARDWARE

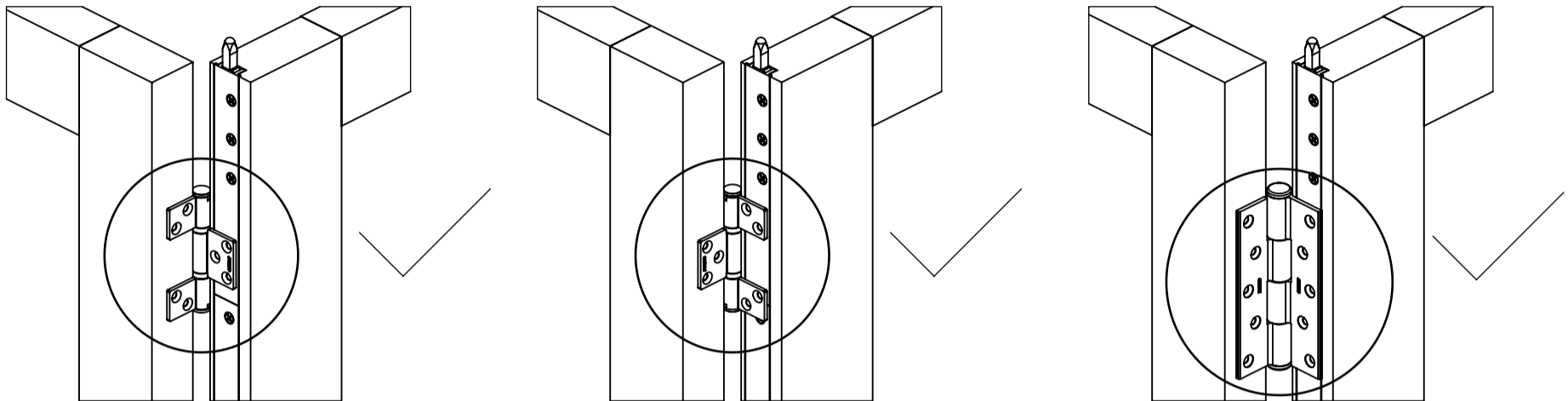
E3, F3 and E4

Hinge compatibility

The twin point lock can be installed with the hinges fitted in any orientation.

E3 and F3

E4

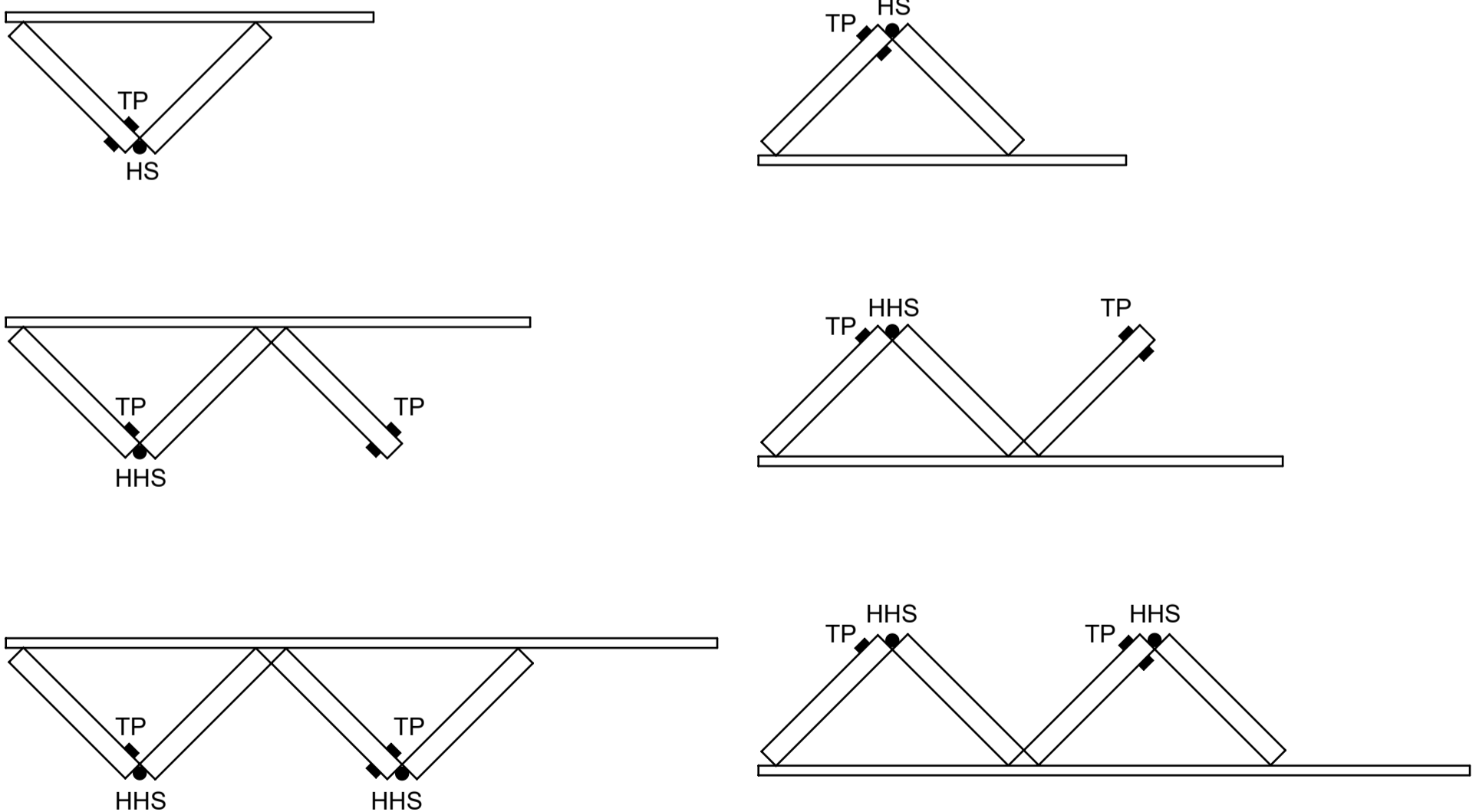


Lock location on panels

The half-offset hinges have equal size flaps. It means no mounting screws will interfere with the twin point lock. Therefore there are no restrictions on the lock location. However, it is recommended to fit the twin point lock on the pivot panel as it provided a better pulling direction for closing the panels just using the twin point lock handle.

Outward opening

Inward opening



TP - TwinPoint Gen2

HS - Straight hinge set

HHS - Half offset hinge set

TRANSMISSION COVER AND ROD LENGTH FORMULA

Covers

Top	All	$TC = PH - HH - 194$
Bottom	Long lock body cover	$BCS = HH - 350$
	Short lock body cover	$BCL = HH - 194$

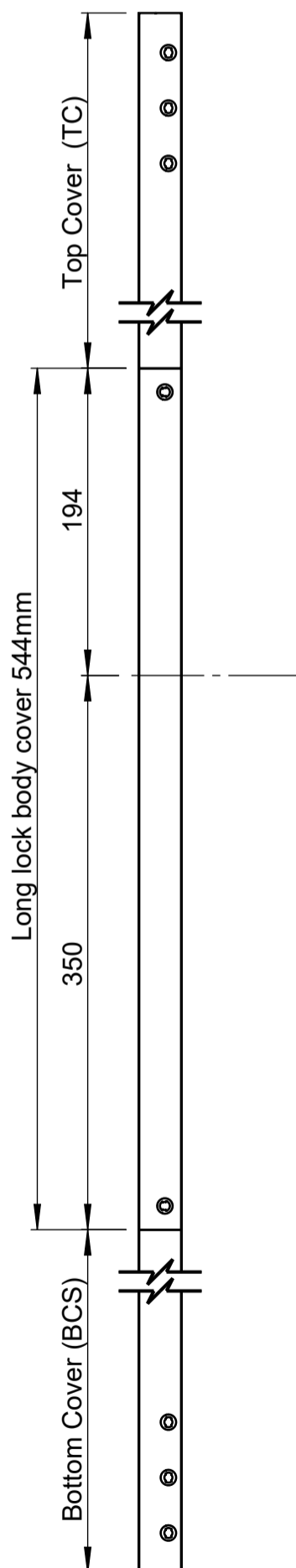
Transmission rods with attached bolt

Top	All	$TR = PH - HH - 99$
Bottom	Lock body keyed	$BRS = HH - 226$
	Lock body non-keyed	$BRL = HH - 99$

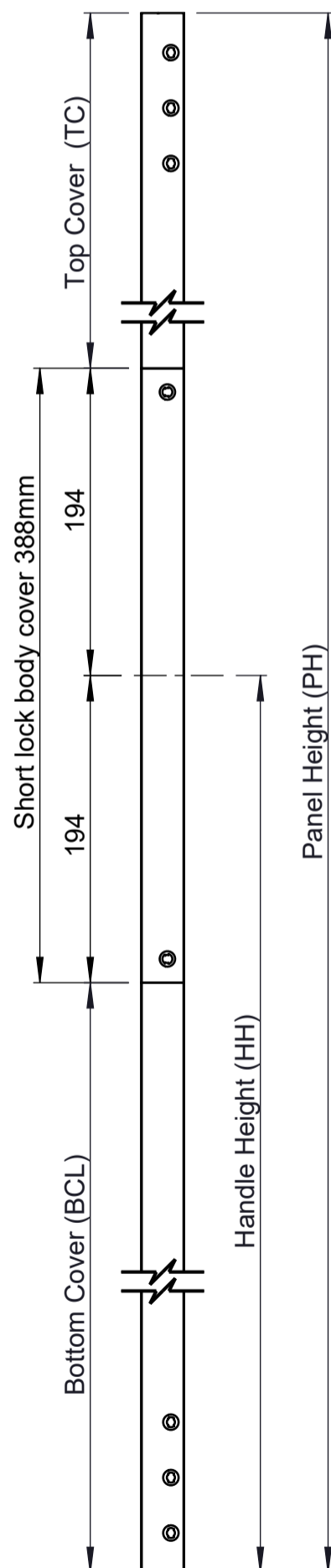
Notes:

- All dimensions in mm.

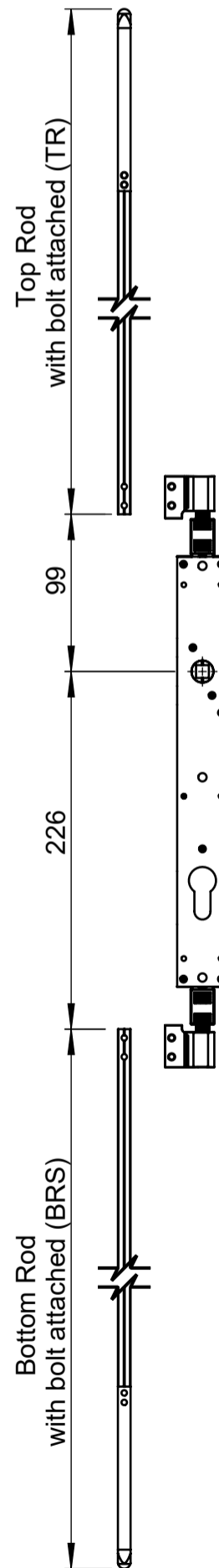
Long lock body cover



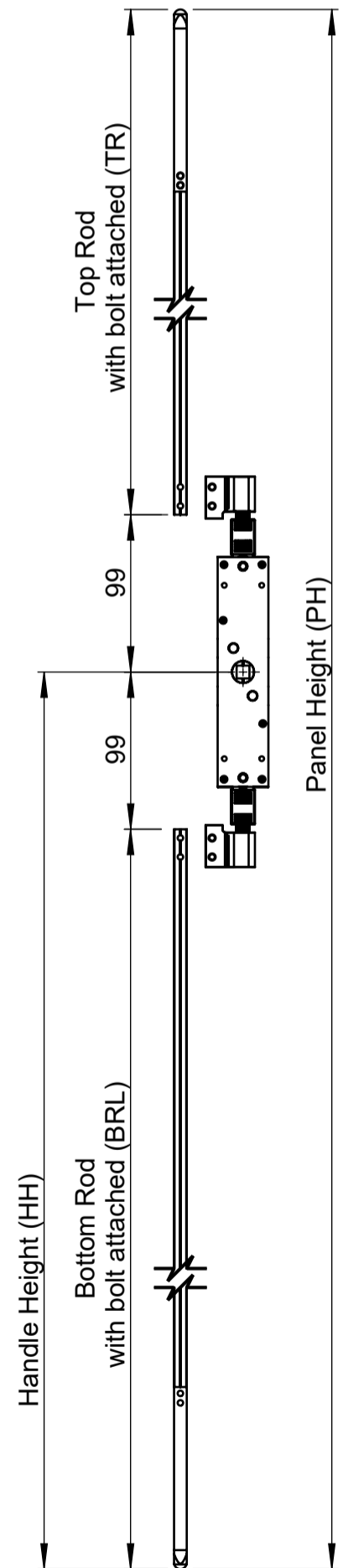
Short lock body cover



Lock body keyed



Lock body non-keyed



PANEL AND HANDLE HEIGHT LIMITS

Long lock body cover - 544mm

Handle height		Panel height			
		Min	Max. with transmission rod sets		
			2440	3050	4000
Standard doors	1020	1434	2549	3159	4084
Min	570*	984*	2099	2709	3634
Max (lock body non-keyed)	1029	1443	2558	3168	4093
Max (lock body keyed)	1156	1570	2685	3295	4220

* When no hinge is fitted on the stile, the minimum handle height can reduce to 470mm and the minimum panel height to 784mm.

Short lock body cover - 388mm

Handle height		Panel height					
		Min	Max. with transmission rod sets				
			1170	1830	2440	3050	4000
Standard windows	432	846	1176	1831	1961	2571	3496
Standard doors	1020	1434	n/a	n/a	2549	3159	4084
Min	414*	828*	1158	1813	1943	2553	3478
Max for 1170 & 1830 sets	549	963	1293	1948	n/a	n/a	n/a
Max for 2440, 3050 & 4000 sets	1029	1443	n/a	n/a	2558	3168	4093

* When no hinge is fitted on the stile, the minimum handle height can reduce to 314mm and the minimum panel height to 628mm.

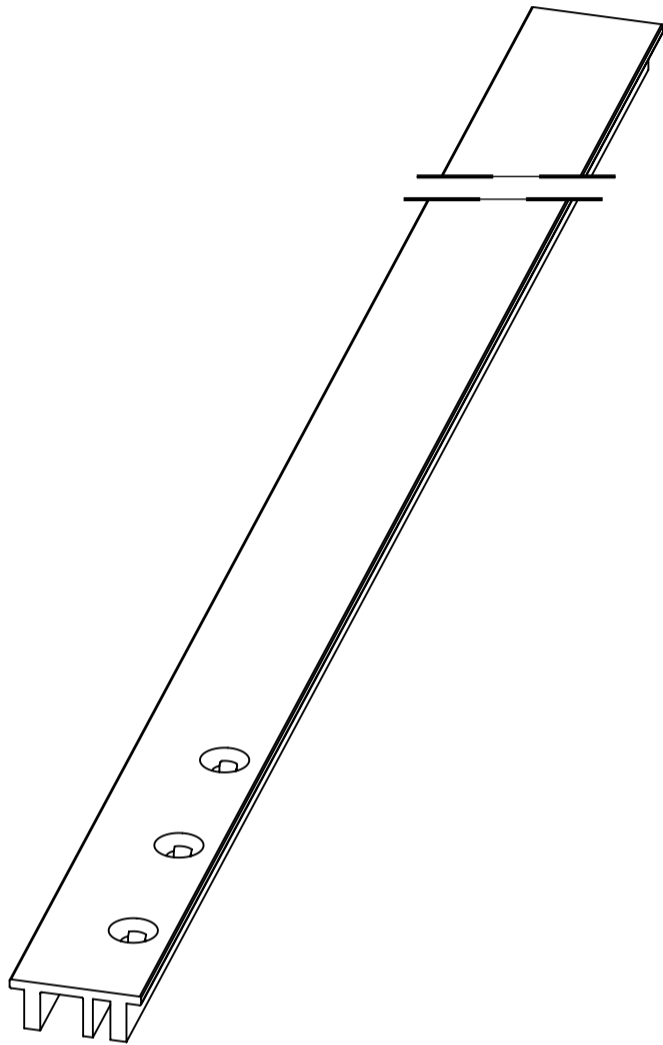
Cover and rod lengths supplied with kits

		Transmission rod sets				
		1170	1830	2440	3050	4000
2 x Covers		550	1205	1335	1945	2870
Rod	Bottom	450	450	930	930	930
	Top	650	1305	1435	2045	2970

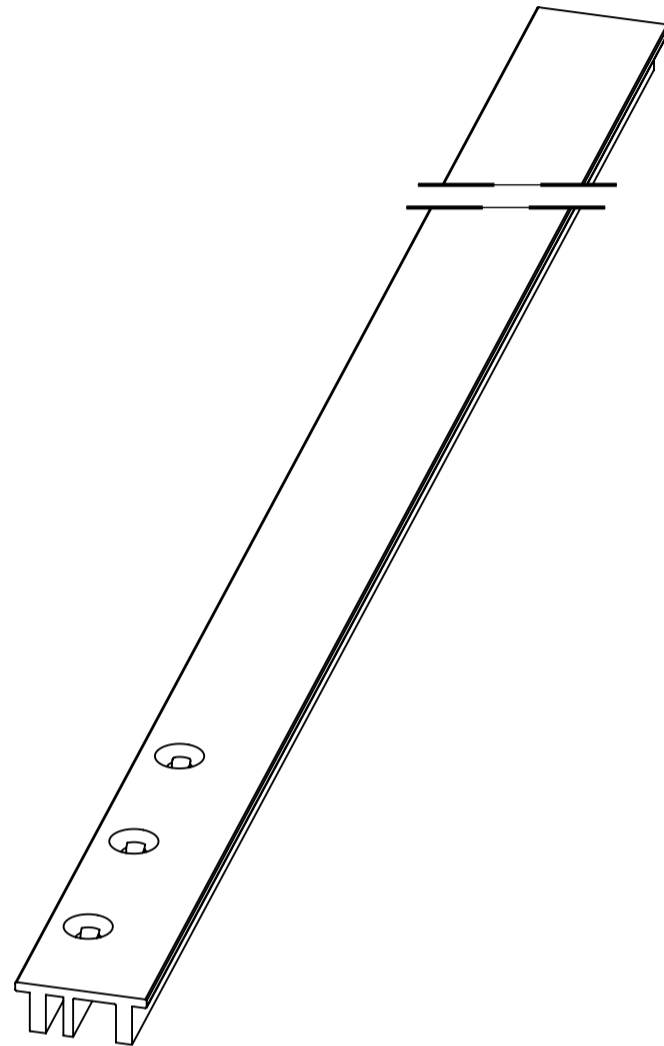
Notes:

1. All dimensions in mm.
2. Rod length includes bolt.
3. Refer to graphics in previous page.

Step 1. Identify bottom covers.



Bottom cover for
Outward 4mm cover offset - left hand
or
Outward 12mm cover offset - right hand

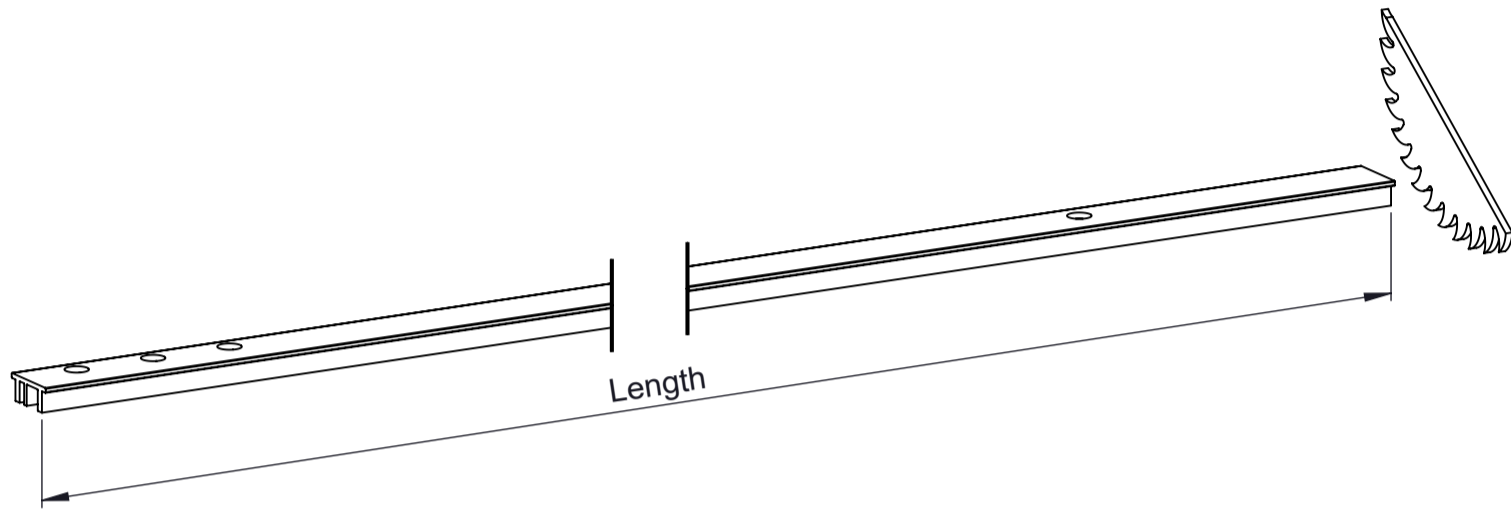


Bottom cover for
Outward 4mm cover offset - right hand
or
Outward 12mm cover offset - left hand

The top cover is mirrored to the bottom.

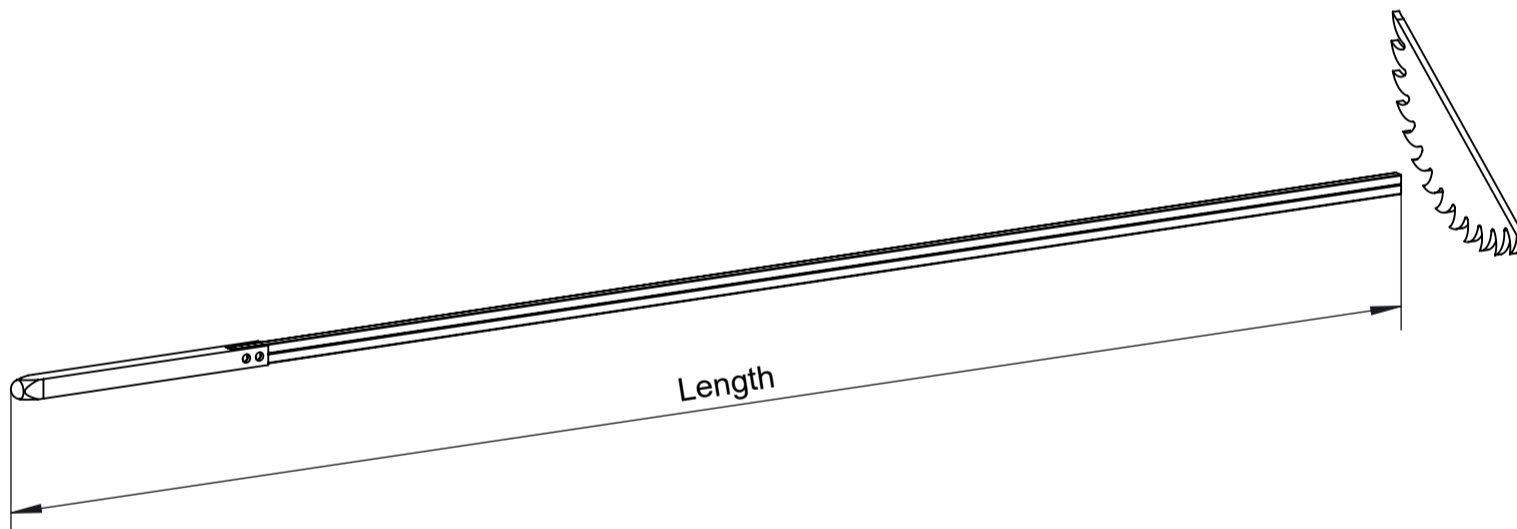
Step 2. Cut the covers to length.

For cover length, refer to TRANSMISSION ROD AND COVER LENGTH FORMULA section.



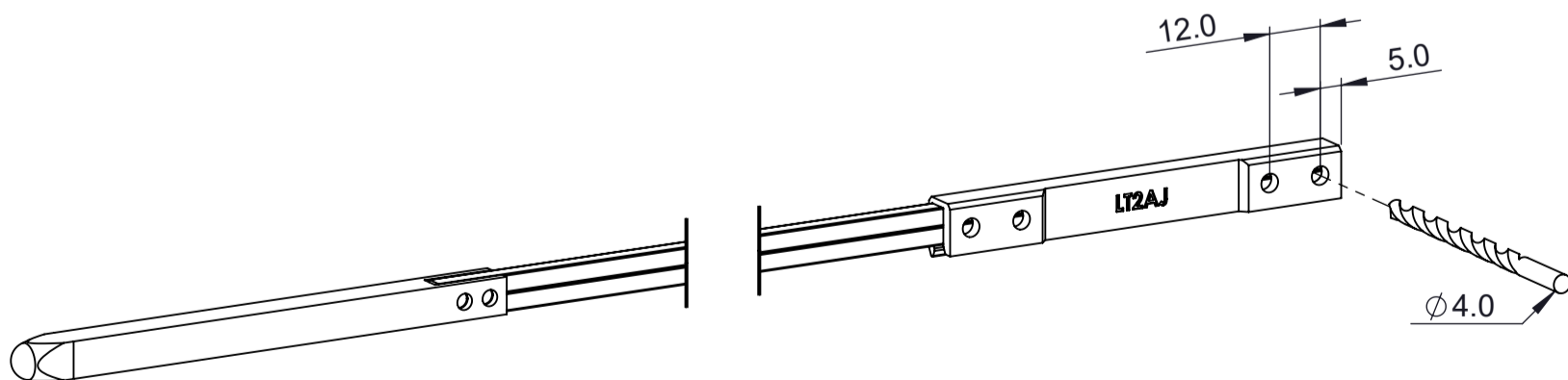
Step 3. Cut the top and bottom transmission rods to length.

Refer to TRANSMISSION ROD AND COVER LENGTH FORMULA section.



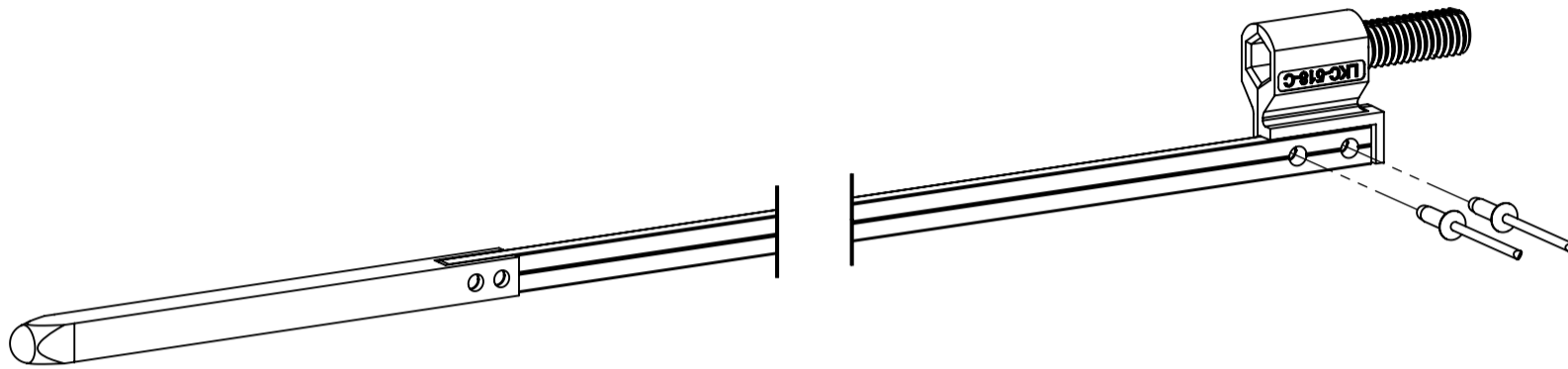
Step 4. Drill two rivet holes for transmission rod adaptor.

Keep the drilling jig flush with the end of the transmission rod.



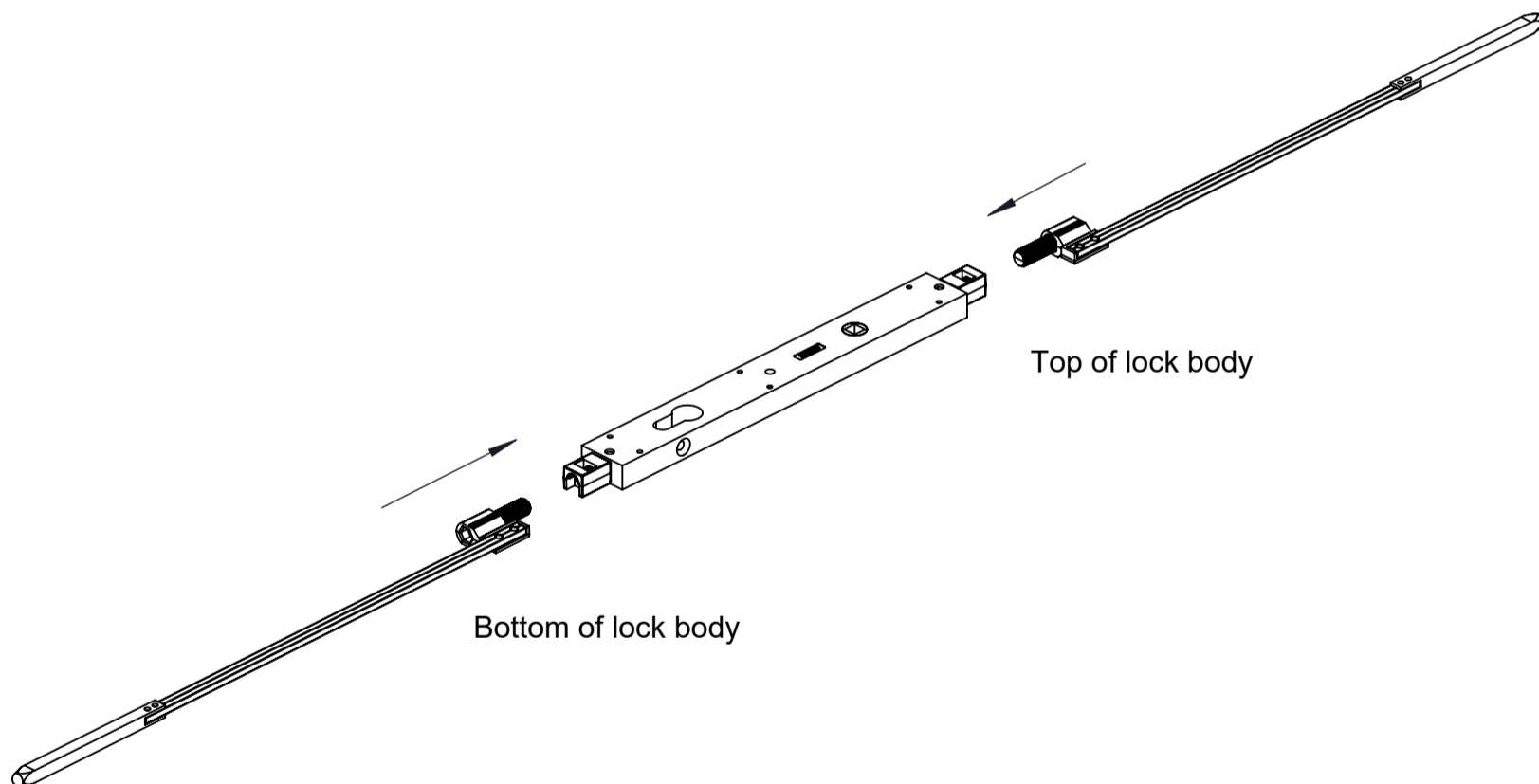
Step 4. Connect transmission rod adaptor.

Refer to HANDING DETAILS section, make sure the correct transmission rod adaptors are used for top and bottom rods. Use the pop rivets supplied to attach the transmission rod adaptor to the transmission rod. Insert the pop rivet through the rod into the adaptor.



Step 5. Connect transmission rod to lock body.

Thread the transmission rod assemblies into the lock body until it bottoms out.



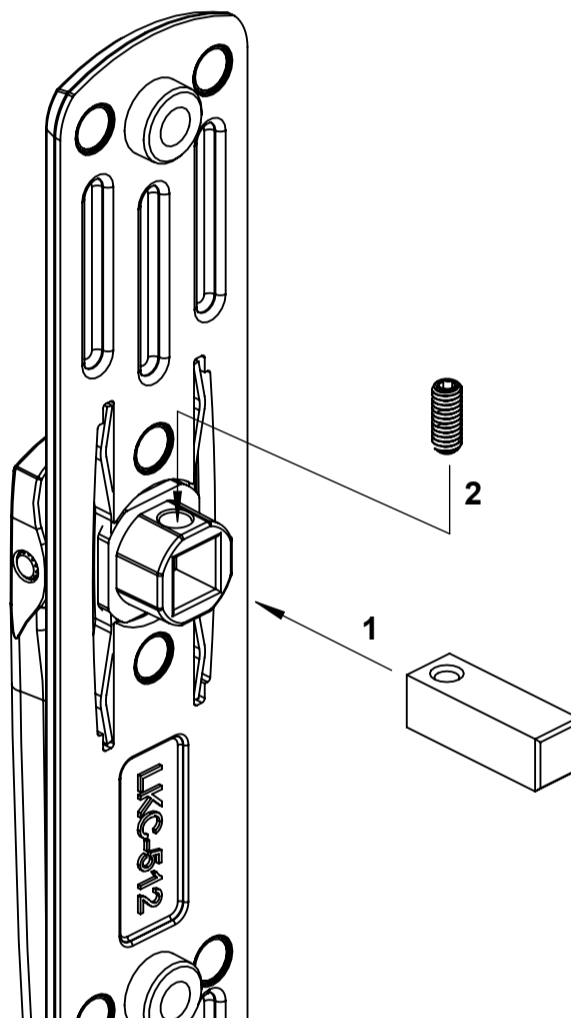
This section is required for zinc diecast handles only

Step 1: Insert the spindle into the square hole as shown.

Step 2: Thread the grub screw into the spindle until it bottoms out. Then unwind for half a turn or so to loosen the spindle.
This will make the handle more flexible when fitting into the lock body.

Refer to TwinPoint Gen2 Handle technical document section **ZINC DIECAST HANDLES H02 - SPINDLE & SCREWS** to select the spindle and mounting screws with the correct lengths or modify them if needed.

For double handle, always fit the spindle to the internal handle.

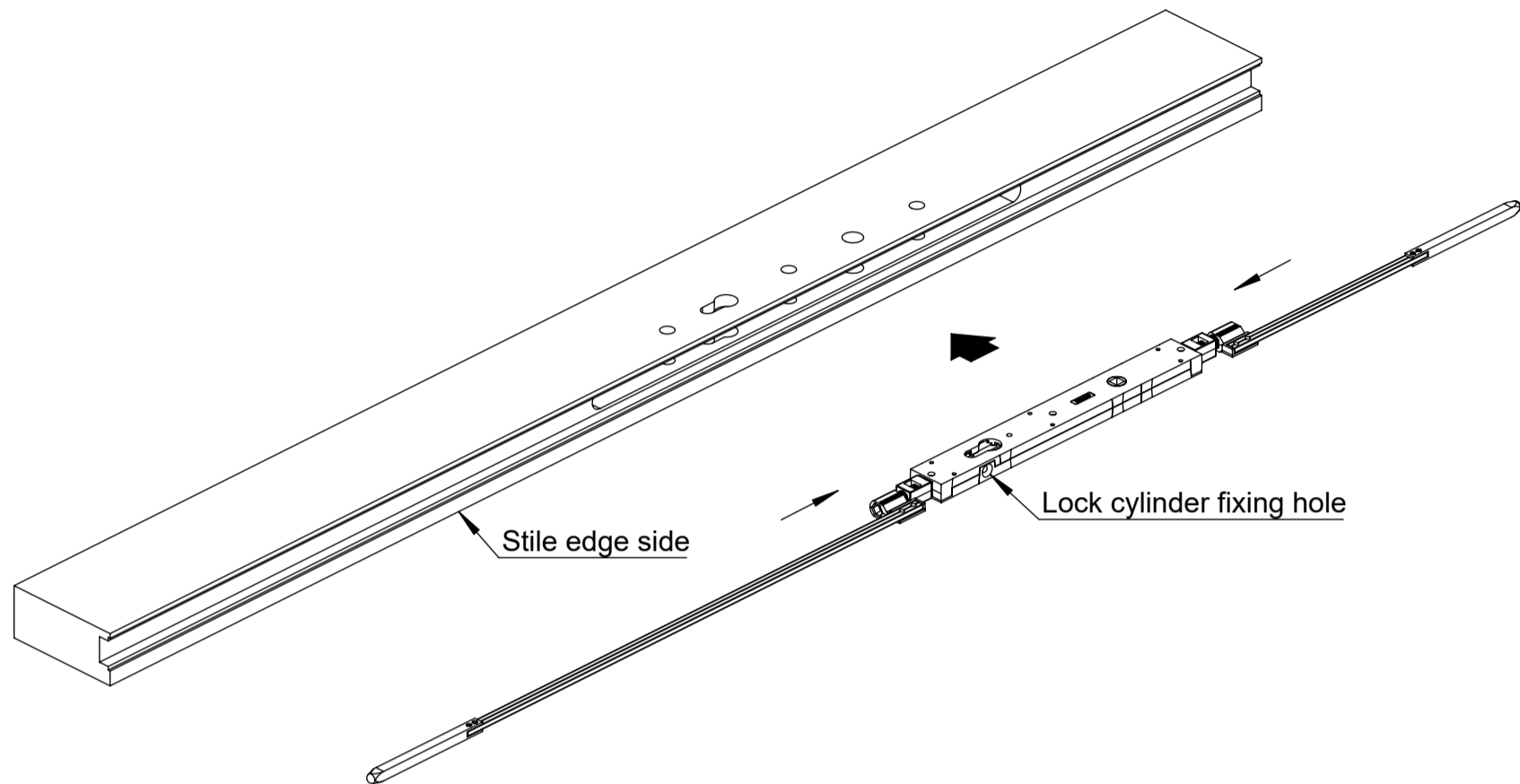


ASSEMBLY INSTALLATION

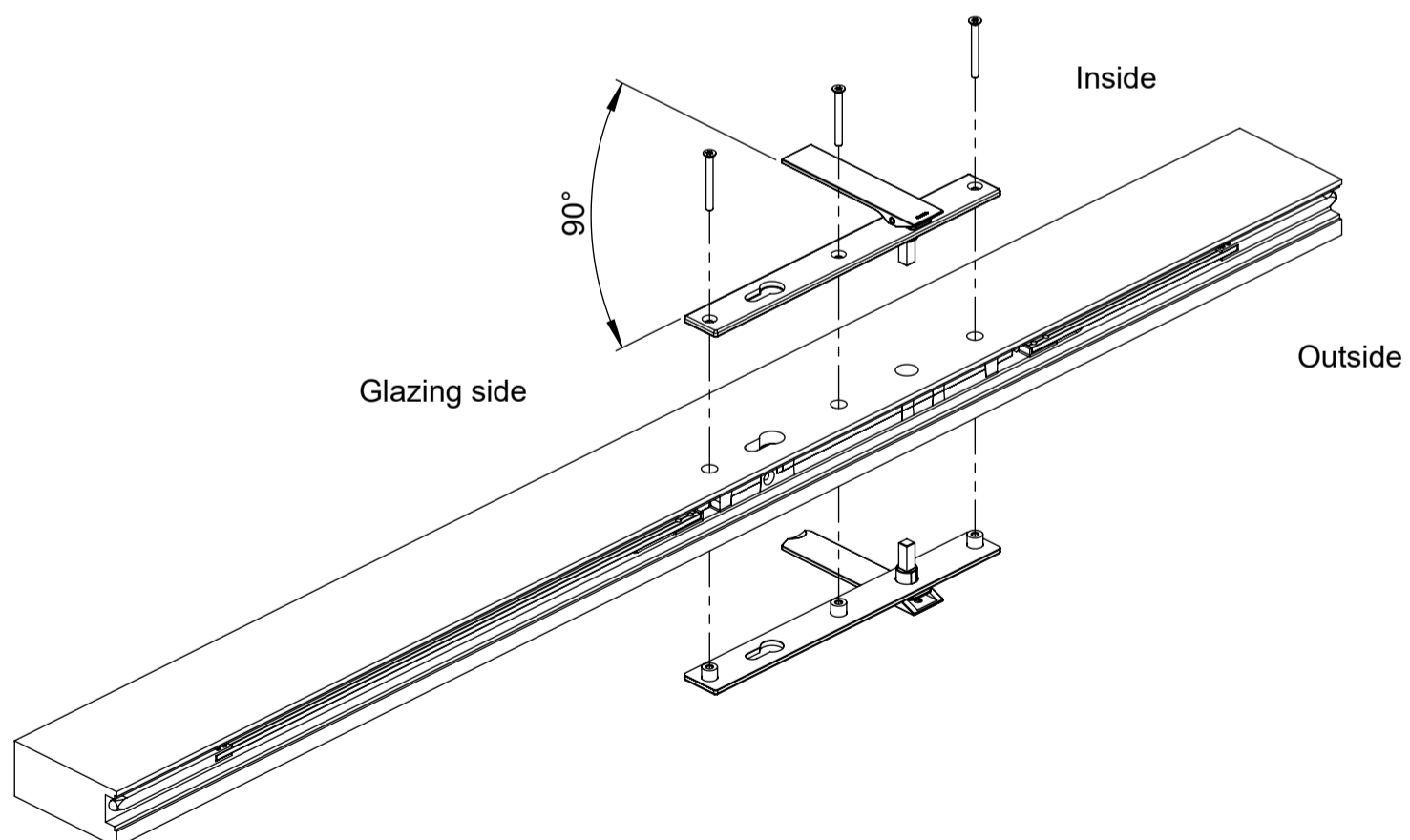
Stainless steel handles shown in the graphics. Zinc diecast handles are installed similarly.

Step 1. Fit the assembly into machined stile/panel.

Check the lock handing is correct for the stile/panel. Make sure the lock is retracted and the lock cylinder fixing screw hole is facing outwards.

**Step 2. Fit the handles.**

The swing handles should be turned 90° into the glazing side before insertion.

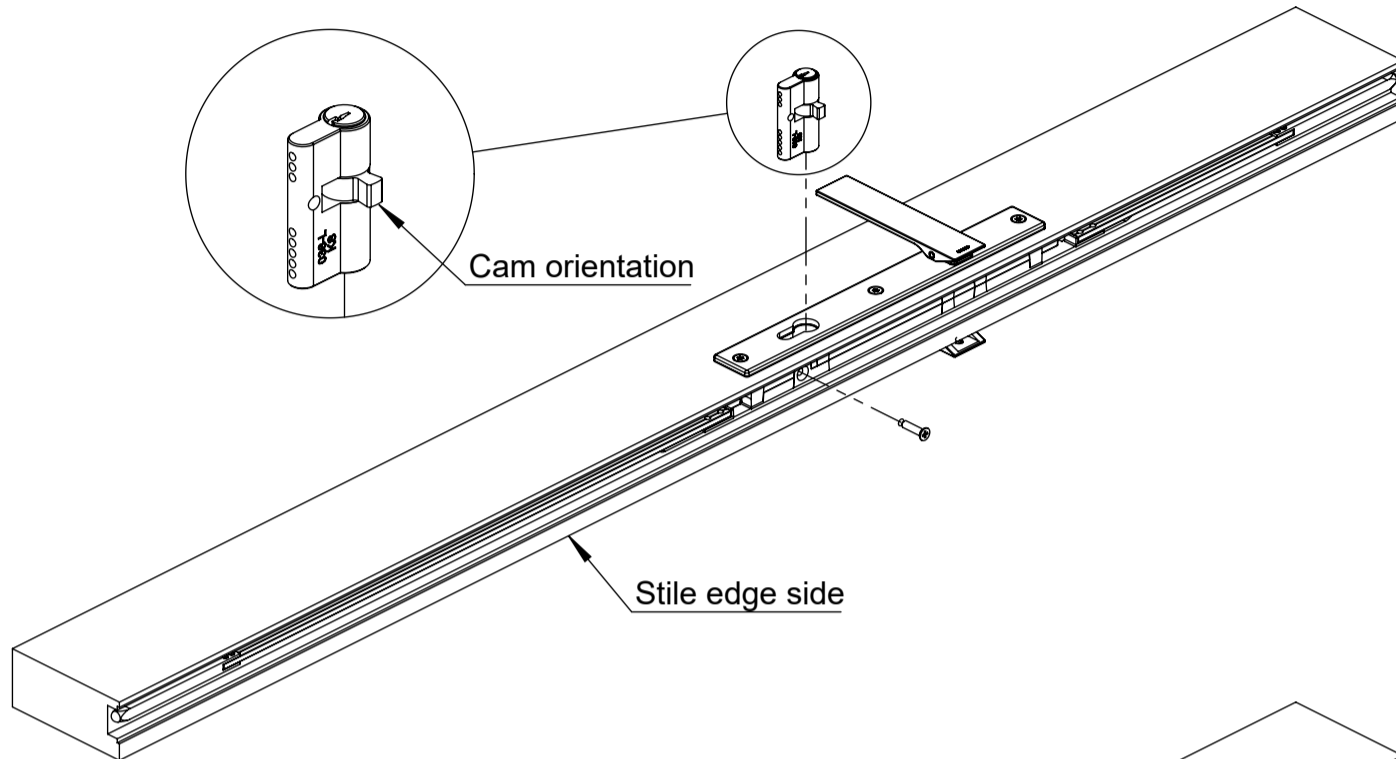


Step 3. Insert the lock cylinder.

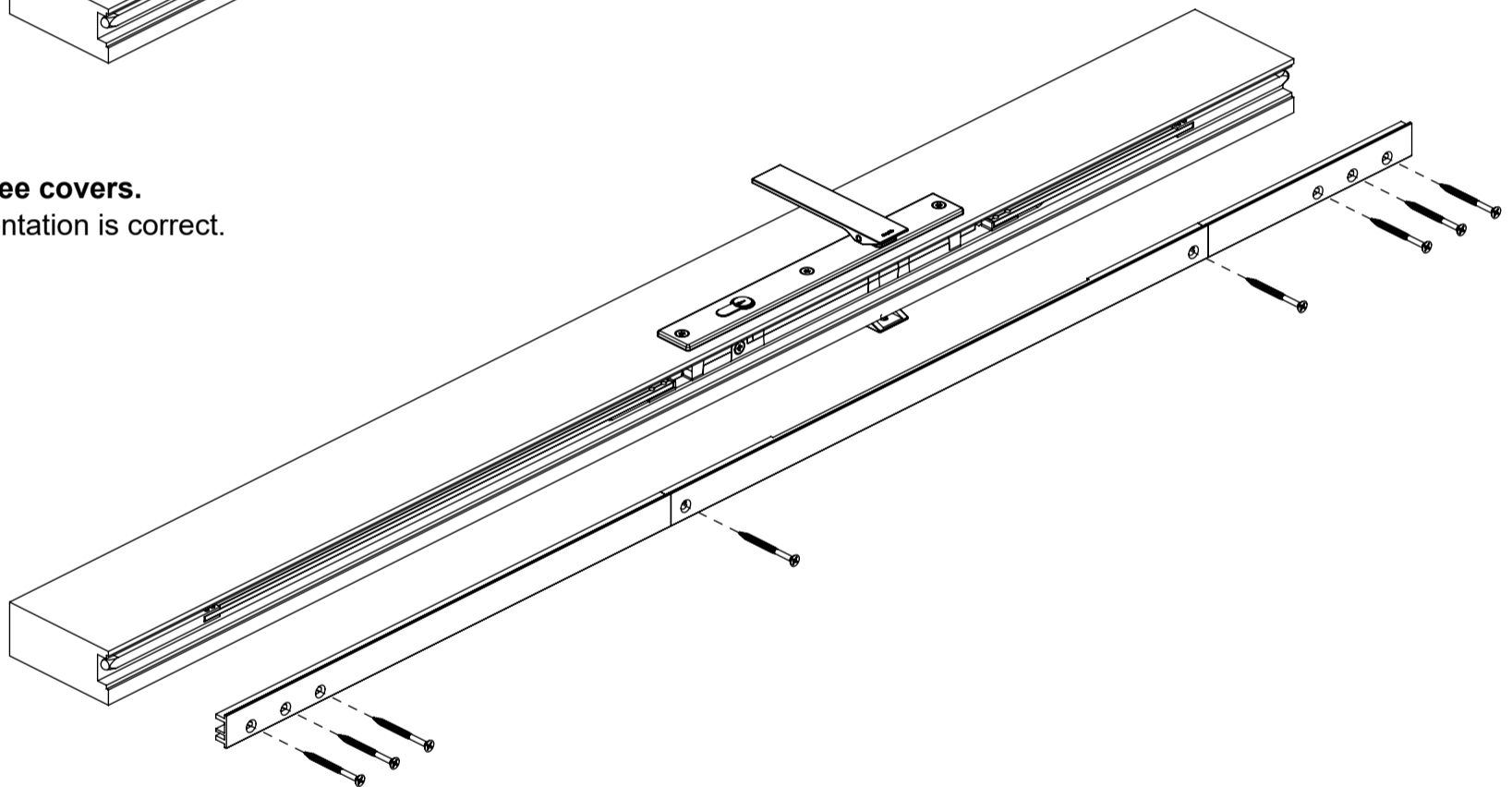
Refer to HANDING DETAILS section and check that the correct handed cylinder is supplied. The cam must face outwards when the key is removed.

Use the key to rotate the cam before inserting the cylinder.

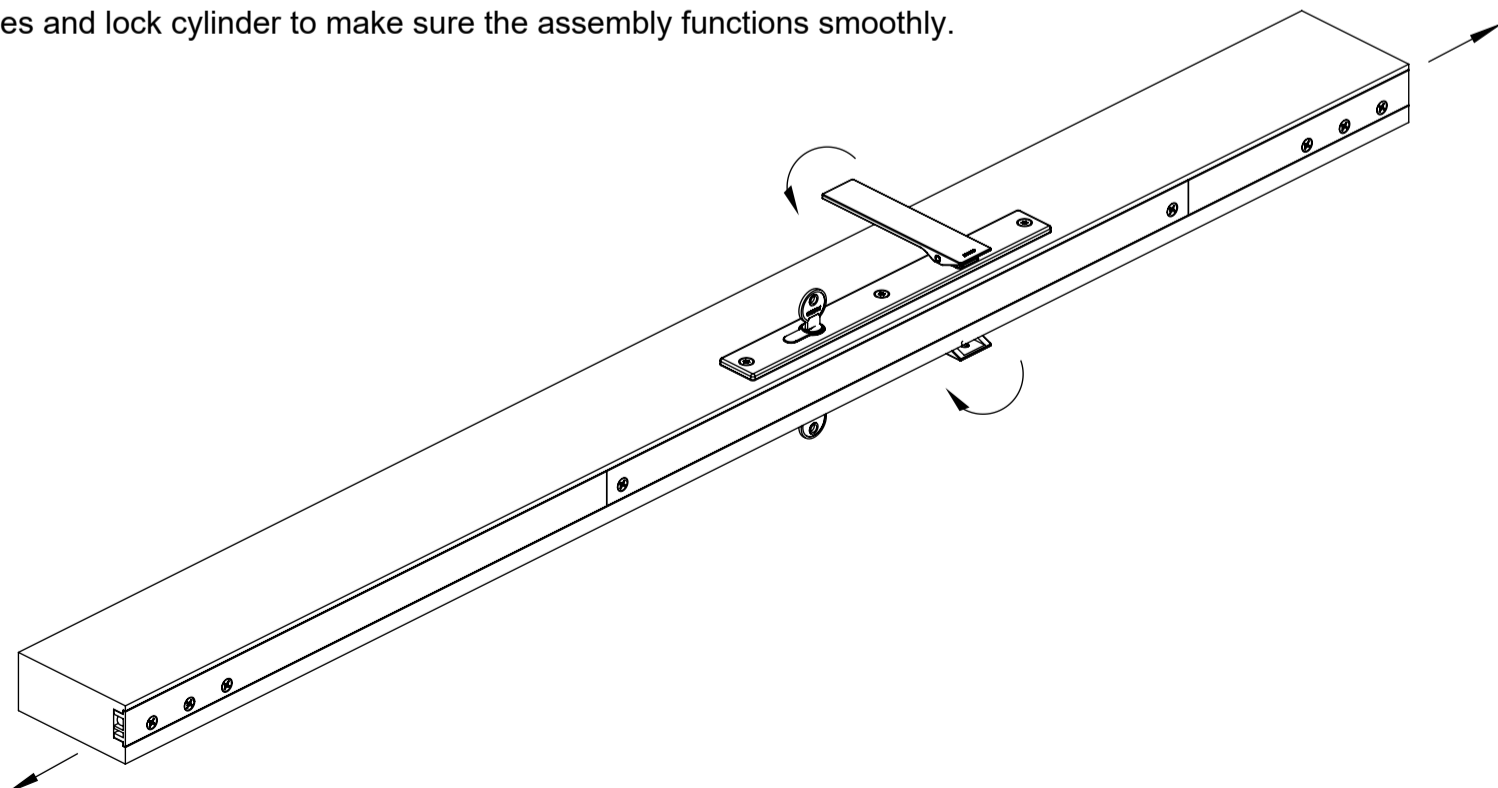
Secure the cylinder with the fixing screw supplied.

**Step 4. Fit the three covers.**

Make sure the orientation is correct.

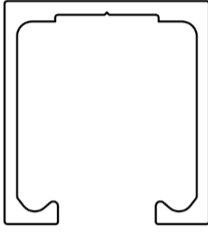
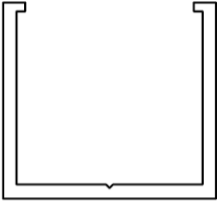
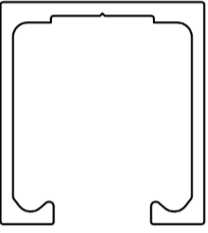
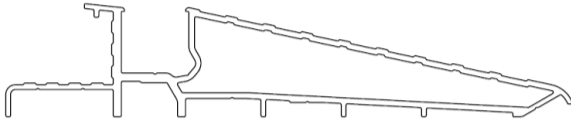
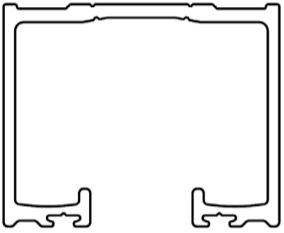
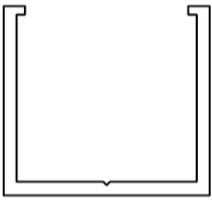
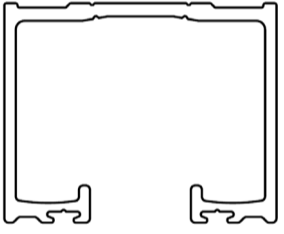
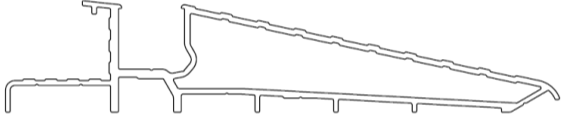
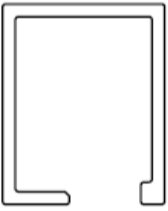
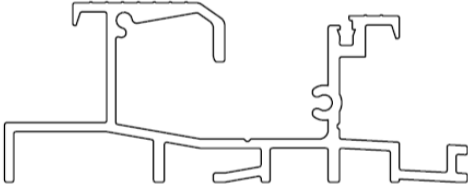
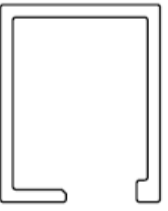
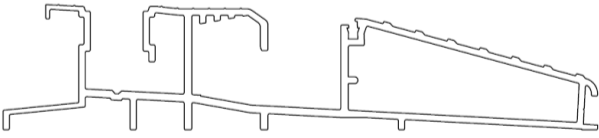
**Step 5. Lock operation.**

Operate the handles and lock cylinder to make sure the assembly functions smoothly.



HARDWARE SELECTION

Head and sill extrusions

Folding hardware	Head	Sill
E2	14TA 	E22FCR 
	14TA 	E3CDSE 
E3	E3TA 	E22FCR 
	E3TA 	E3CDSE 
F3	FRHTC 	FR3S 
	FRHTC 	FRKSD 

ARCHITECTURAL DETAIL

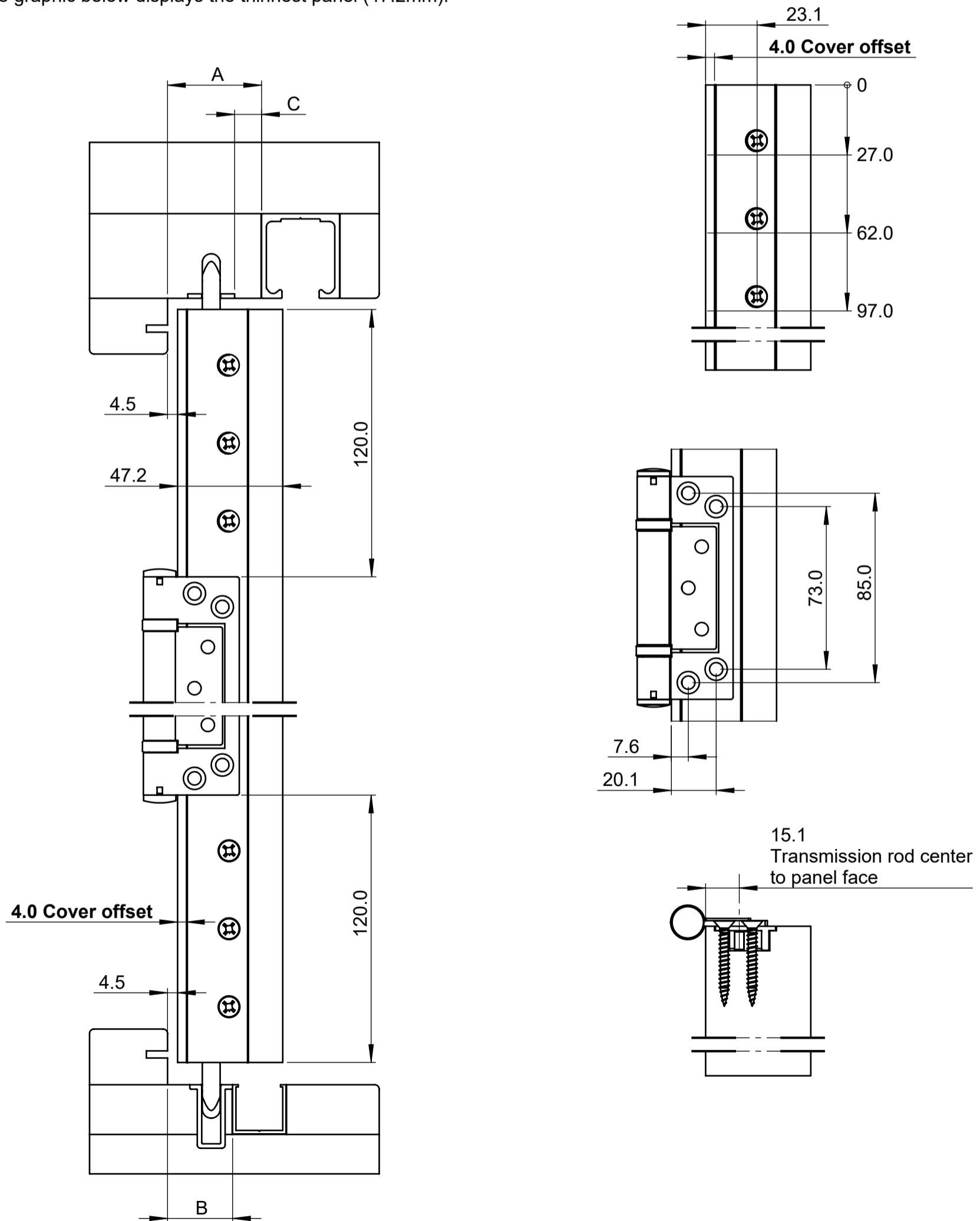
Centor E2 Folding Hardware

Head	14TA
Sill	E22FCR
Perimeter seal	AQ21

Panel thickness PT	Head track to stop A	Sill track to stop B	Striker & head track clearance C	Bolt cup & sill track clearance D
47.2	42.2	29.2	12.1	0
Custom	PT - 5.0	PT - 18.0	PT - 35.1	PT - 47.2

Notes:

- The graphic below displays the thinnest panel (47.2mm).



ARCHITECTURAL DETAIL

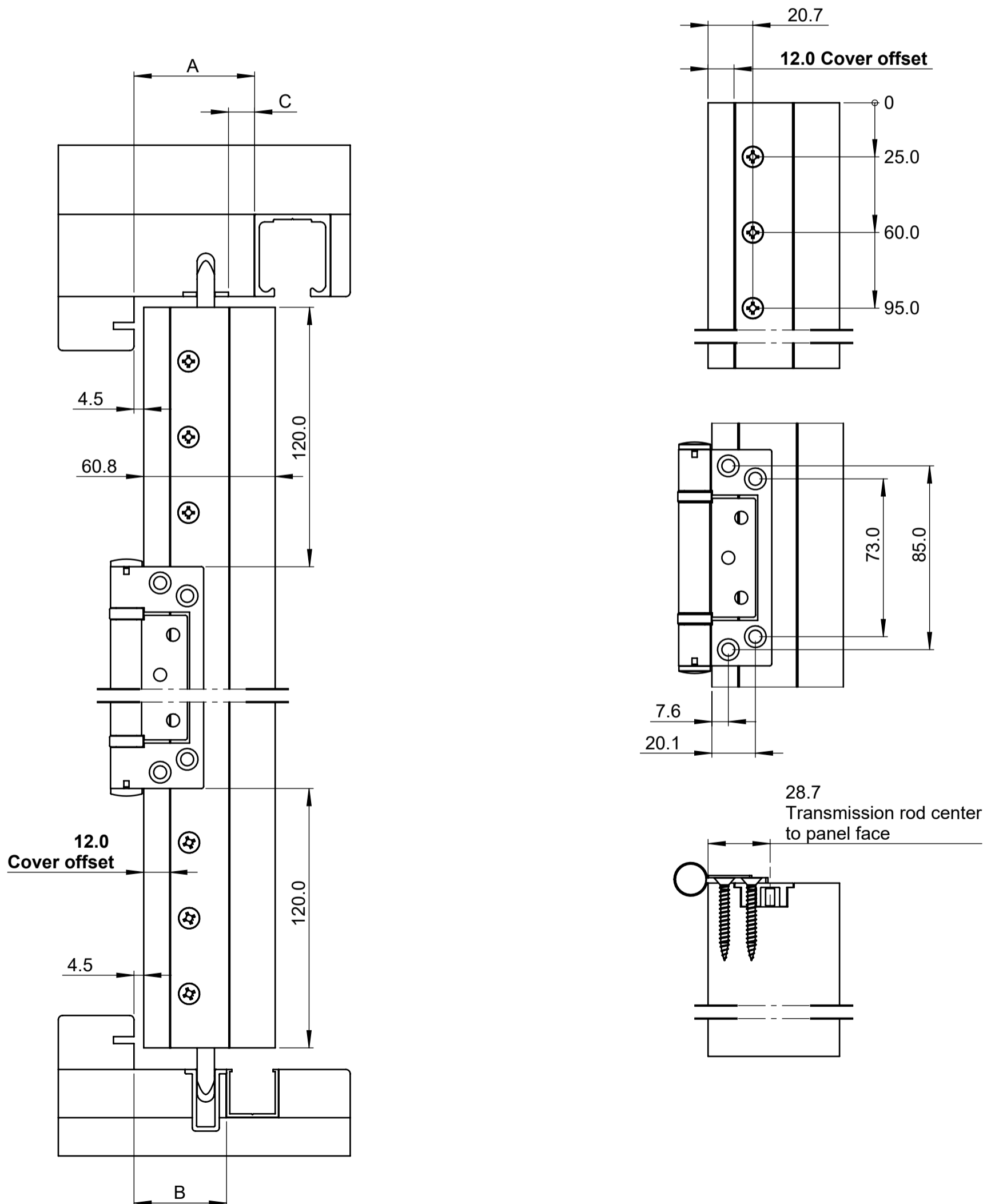
Centor E2 Folding Hardware

Head	14TA
Sill	E22FCR
Perimeter seal	AQ21

Panel thickness PT	Head track to stop A	Sill track to stop B	Striker & head track clearance C	Bolt cup & sill track clearance D
60.8	55.8	42.8	12.1	0
Custom	PT - 5.0	PT - 18.0	PT - 48.7	PT - 60.8

Notes:

- The graphic below displays the thinnest panel (60.8mm).



ARCHITECTURAL DETAIL

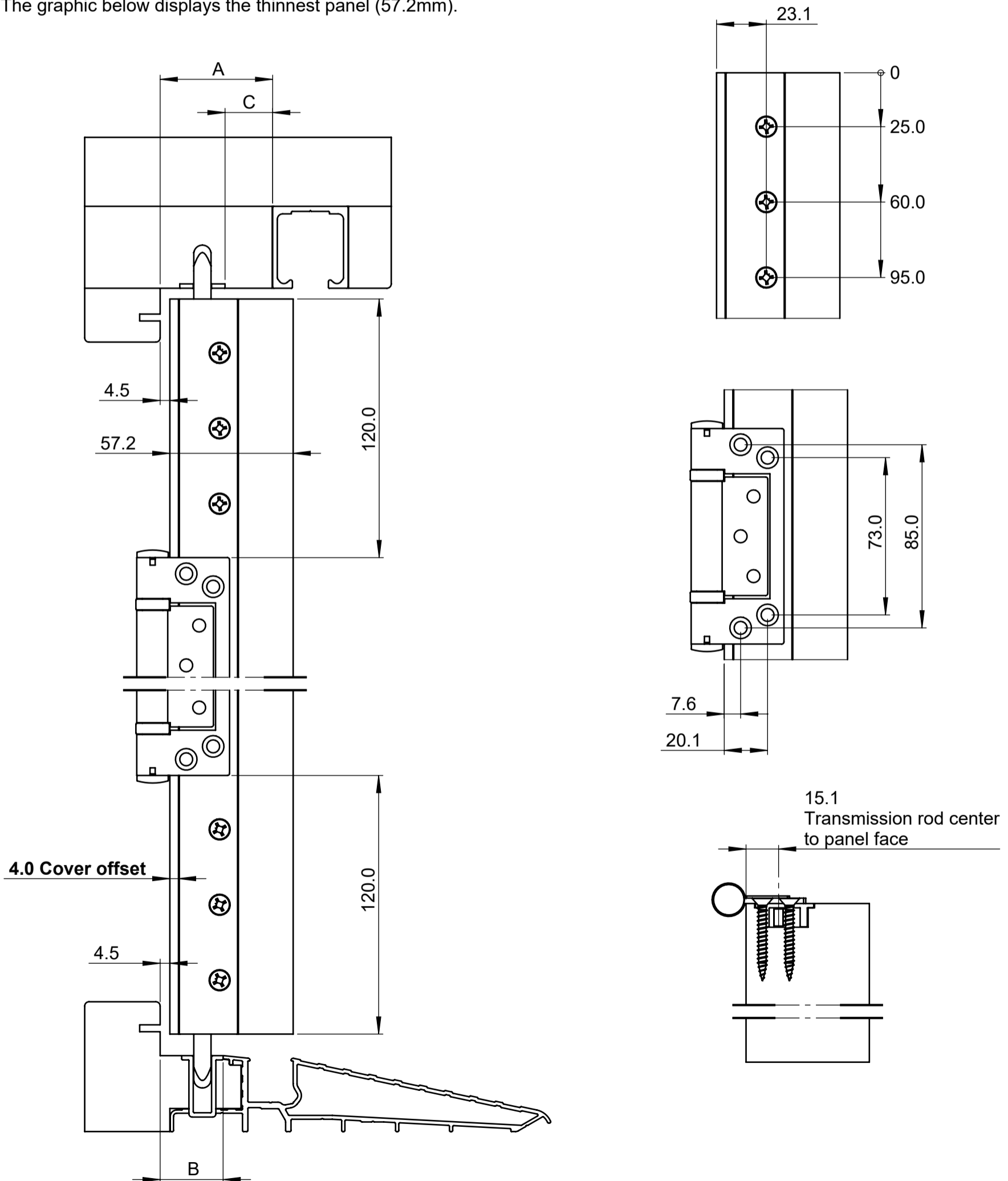
Centor E2 Folding Hardware

Head	14TA
Sill	E3CDSE
Perimeter seal	AQ21

Panel thickness PT	Head track to stop A	Sill track to stop B	Striker & head track clearance C	Bolt cup & sill track clearance D
57.2	52.2	29.2	22.1	0
Custom	PT - 5.0	PT - 28.0	PT - 35.1	PT - 57.2

Notes:

- The graphic below displays the thinnest panel (57.2mm).



ARCHITECTURAL DETAIL

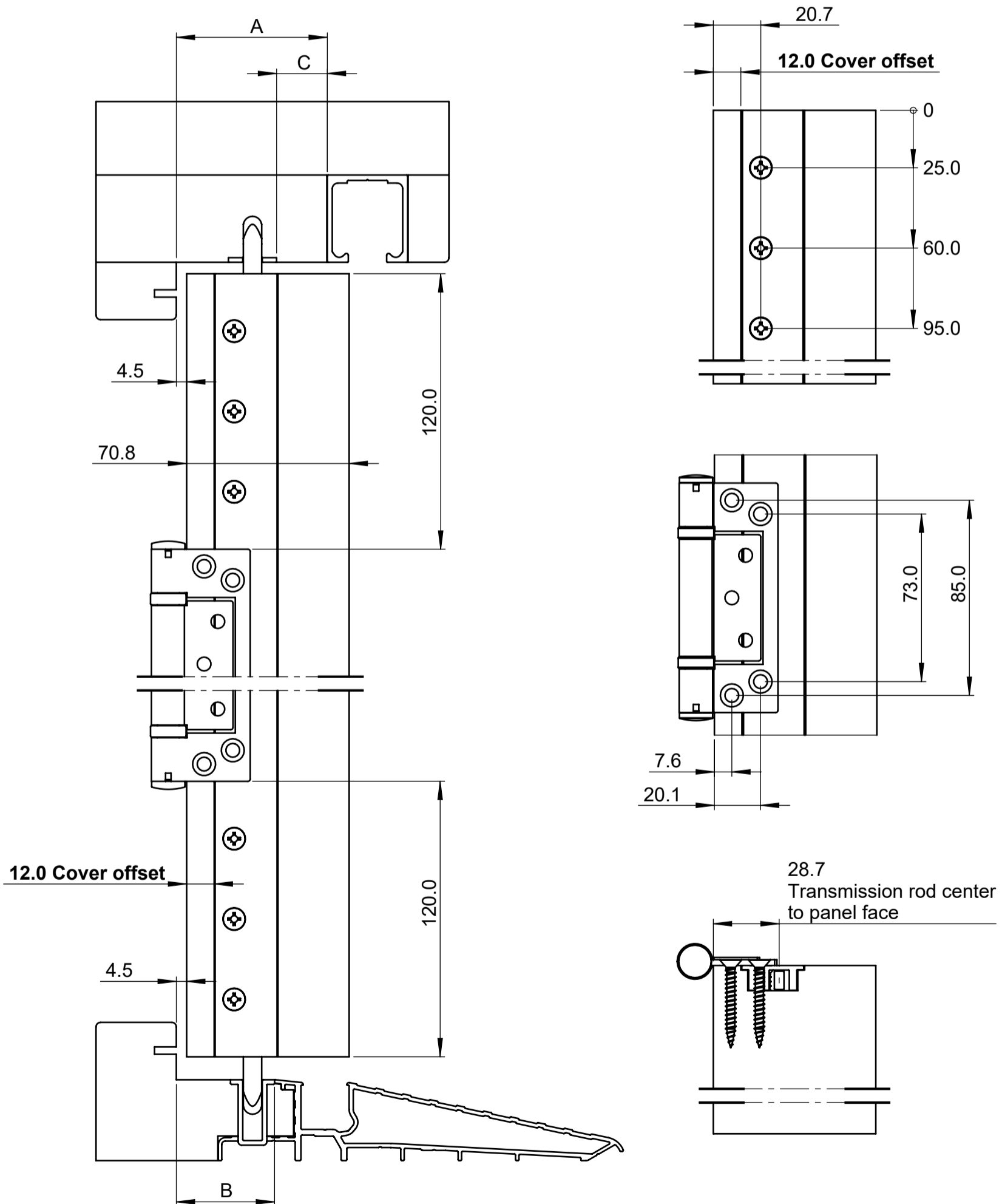
Centor E2 Folding Hardware

Head	14TA
Sill	E3CDSE
Perimeter seal	AQ21

Panel thickness PT	Head track to stop A	Sill track to stop B	Striker & head track clearance C	Bolt cup & sill track clearance D
70.8	65.8	42.8	22.1	0
Custom	PT - 5.0	PT - 28.0	PT - 48.7	PT - 70.8

Notes:

- The graphic below displays the thinnest panel (70.8mm).



ARCHITECTURAL DETAIL

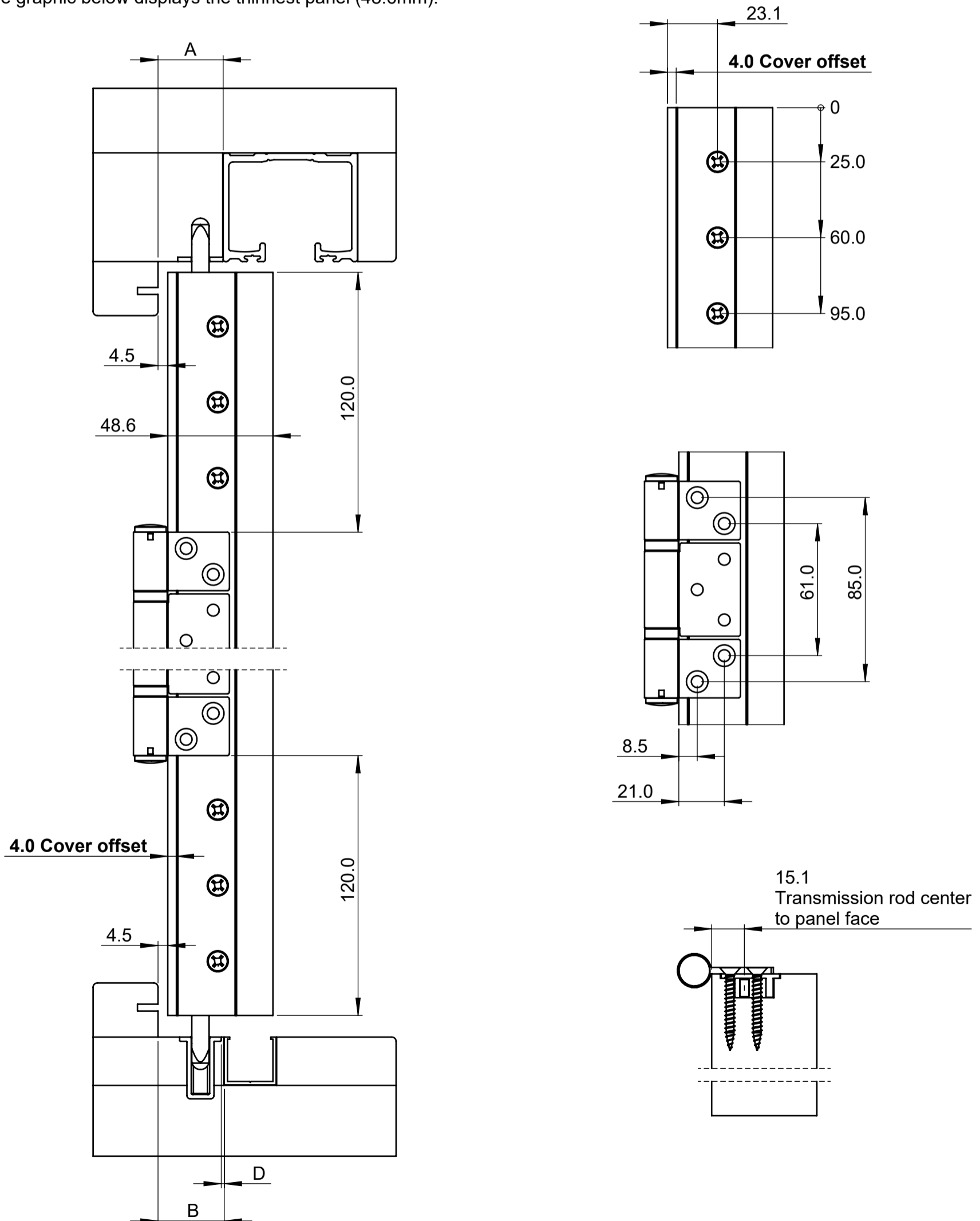
Centor E3 Folding Hardware

Head	E3TA
Sill	E22FCR
Perimeter seal	AQ21

Panel thickness PT	Head track to stop A	Sill track to stop B	Striker & head track clearance C	Bolt cup & sill track clearance D
48.6	30.1	30.6	0	1.4
Custom	PT - 18.5	PT - 18.0	PT - 48.6	PT - 47.2

Notes:

- The graphic below displays the thinnest panel (48.6mm).



ARCHITECTURAL DETAILS

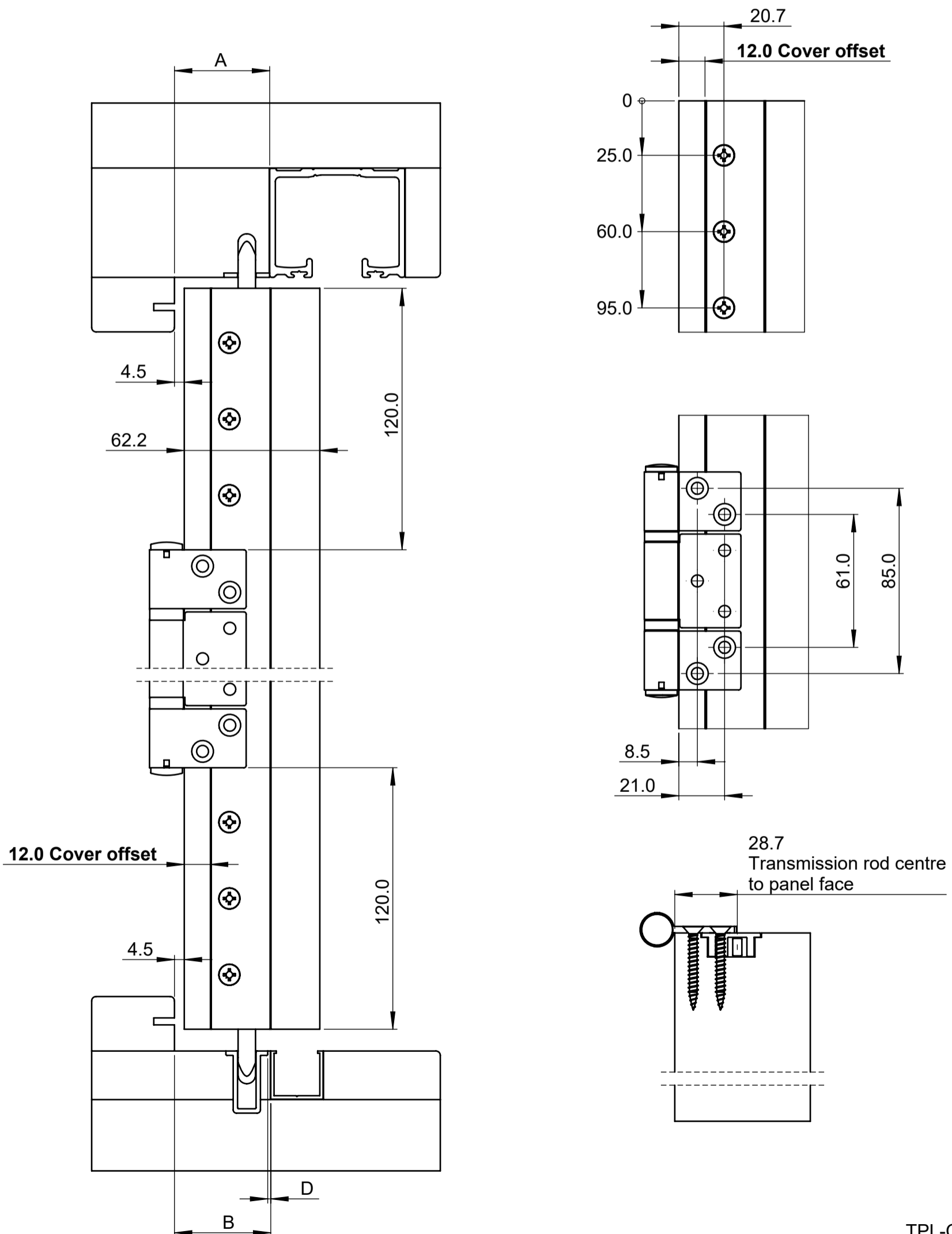
Centor E3 Folding Hardware

Head	E3TA
Sill	E22FCR
Perimeter seal	AQ21

Panel thickness PT	Head track to stop A	Sill track to stop B	Striker & head track clearance C	Bolt cup & sill track clearance D
62.2	43.7	44.2	0	1.4
Custom	PT - 18.5	PT - 18.0	PT - 62.2	PT - 60.8

Notes:

- The graphic below displays the thinnest panel (62.2mm).



ARCHITECTURAL DETAIL

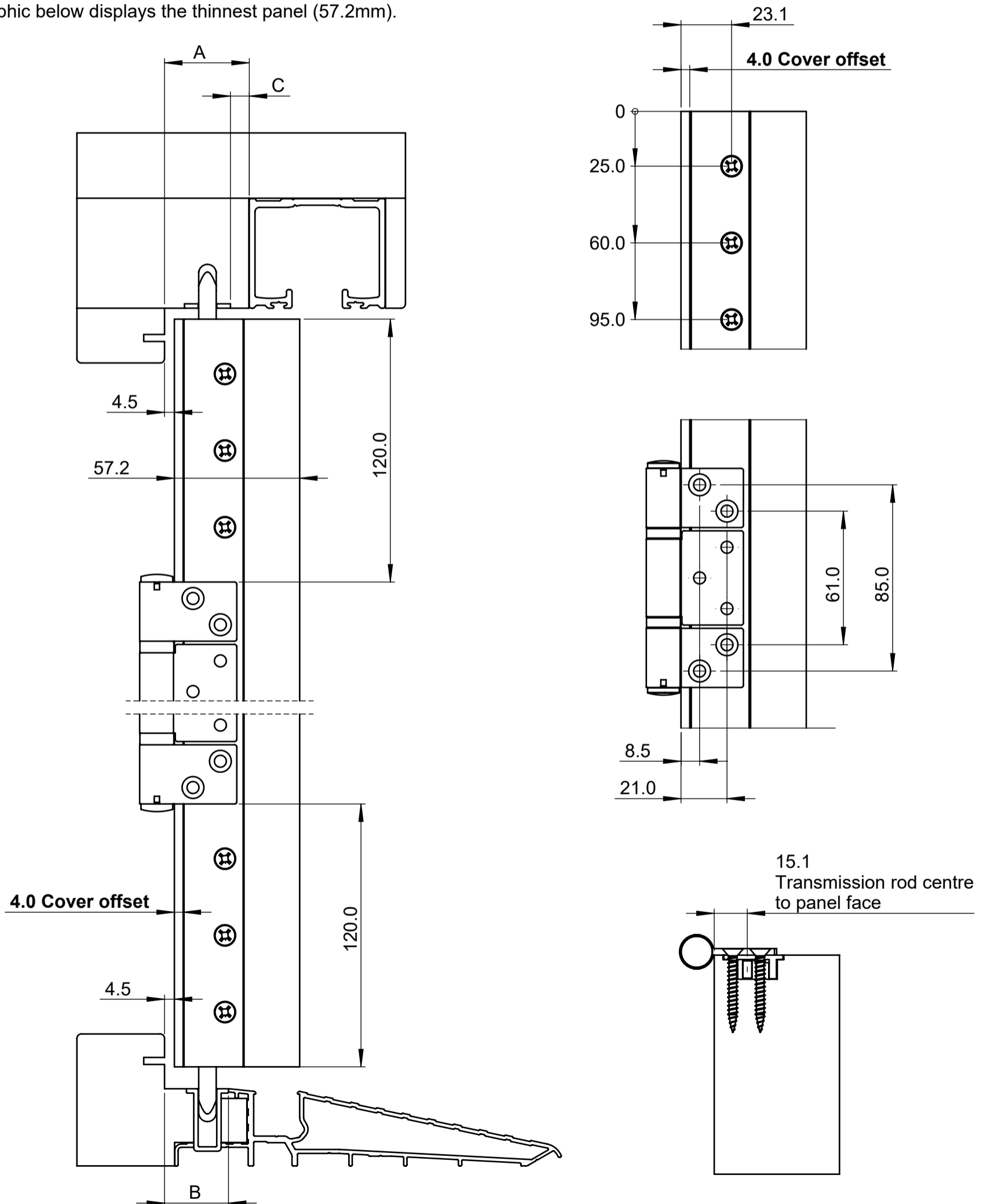
Centor E3 Folding Hardware

Head	E3TA
Sill	E3CDSE
Perimeter seal	AQ21

Panel thickness PT	Head track to stop A	Sill track to stop B	Striker & head track clearance C	Bolt cup & sill track clearance D
57.2	38.7	29.2	8.6	0
Custom	PT - 18.5	PT - 28.0	PT - 48.6	PT - 57.2

Notes:

- The graphic below displays the thinnest panel (57.2mm).



ARCHITECTURAL DETAIL

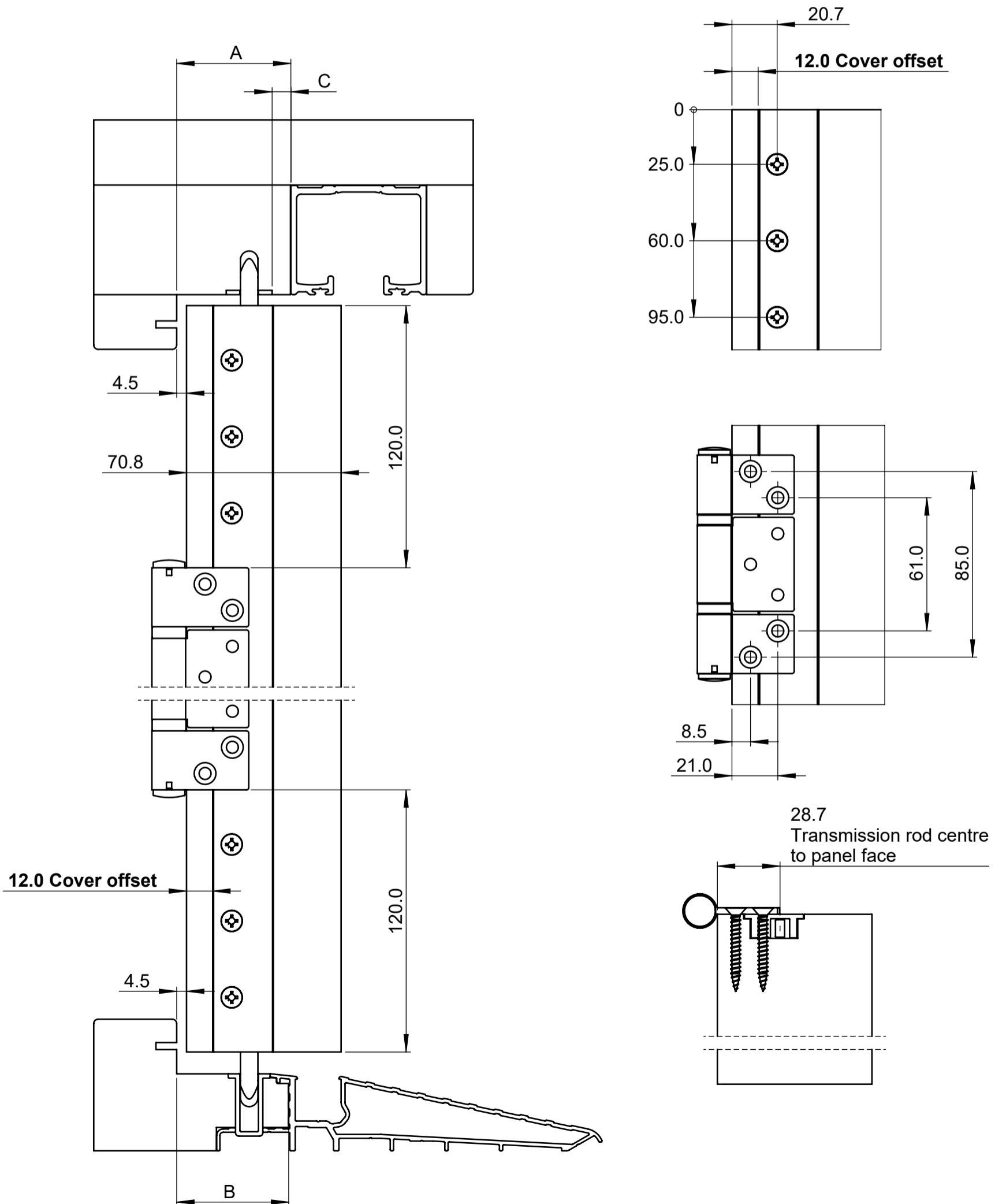
Centor E3 Folding Hardware

Head	E3TA
Sill	E3CDSE
Perimeter seal	AQ21

Panel thickness PT	Head track to stop A	Sill track to stop B	Striker & head track clearance C	Bolt cup & sill track clearance D
70.8	52.3	51.3	8.6	0
Custom	PT - 18.5	PT - 19.5	PT - 62.2	PT - 70.8

Notes:

- The graphic below displays the thinnest panel (70.8mm).



ARCHITECTURAL DETAIL

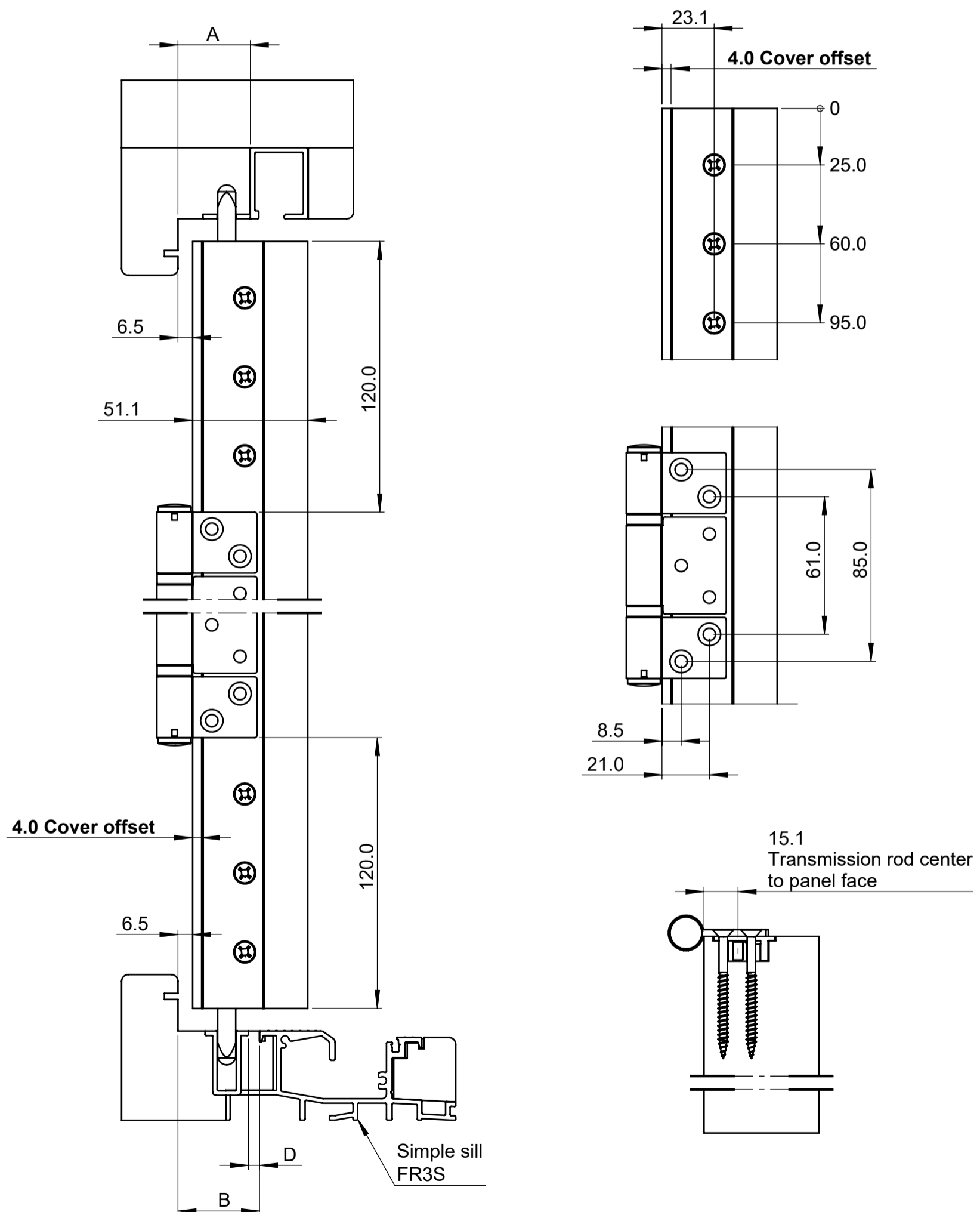
Centor F3 Folding Hardware

Head	FRHTC
Sill	FR3S
Perimeter seal	AQ21

Panel thickness PT	Head track to stop A	Sill track to stop B	Striker & head track clearance C	Bolt cup & sill track clearance D
51.1	32.1	36.2	0	5.0
Custom	PT - 19.0	PT - 14.9	PT - 51.1	PT - 46.1

Notes:

- The graphic below displays the thinnest panel (51.1mm).



ARCHITECTURAL DETAIL

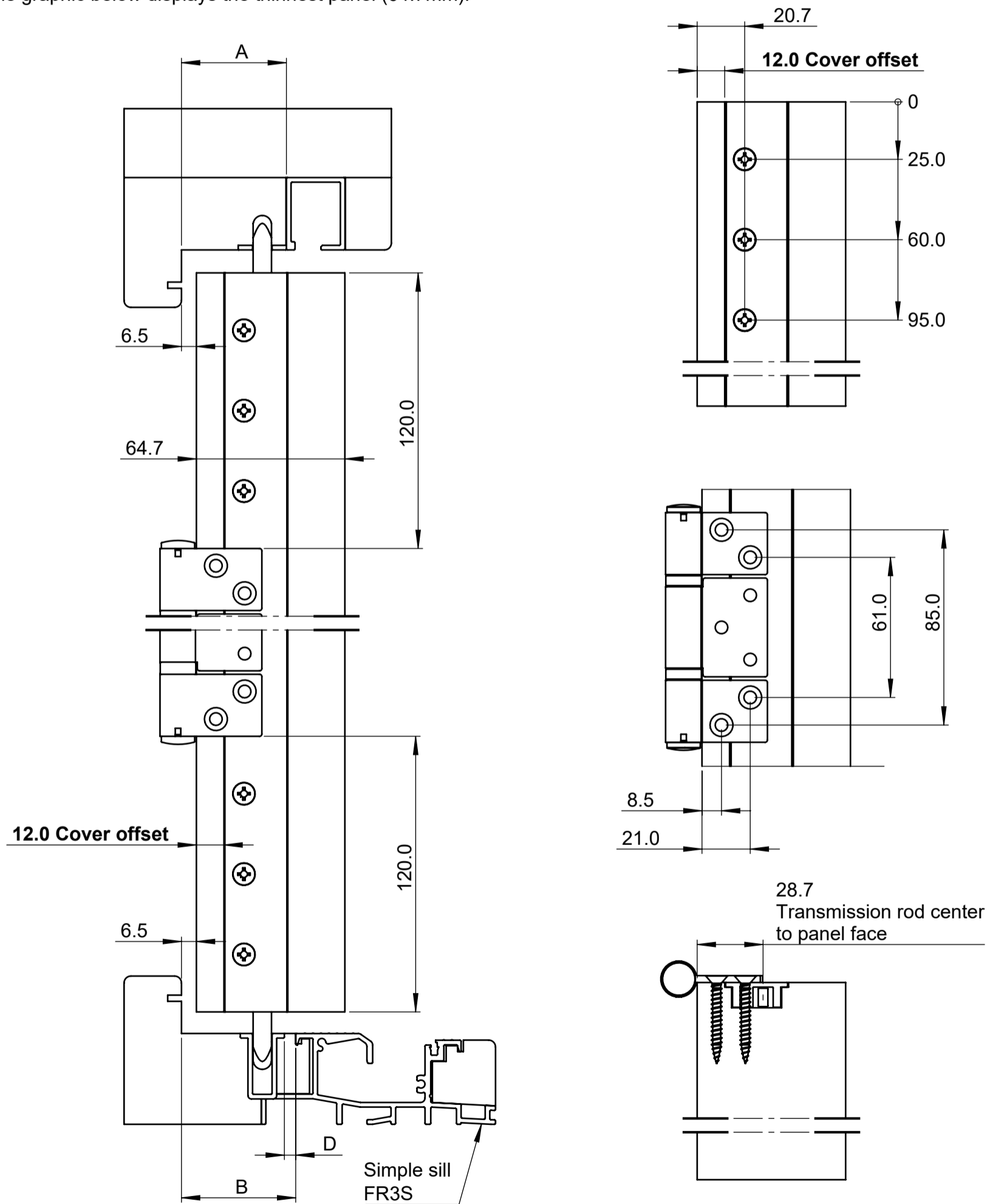
Centor F3 Folding Hardware

Head	FRHTC
Sill	FR3S
Perimeter seal	AQ21

Panel thickness PT	Head track to stop A	Sill track to stop B	Striker & head track clearance C	Bolt cup & sill track clearance D
64.7	45.7	49.8	0	5.0
Custom	PT - 19.0	PT - 14.9	PT - 64.7	PT - 59.7

Notes:

- The graphic below displays the thinnest panel (64.7mm).



ARCHITECTURAL DETAIL

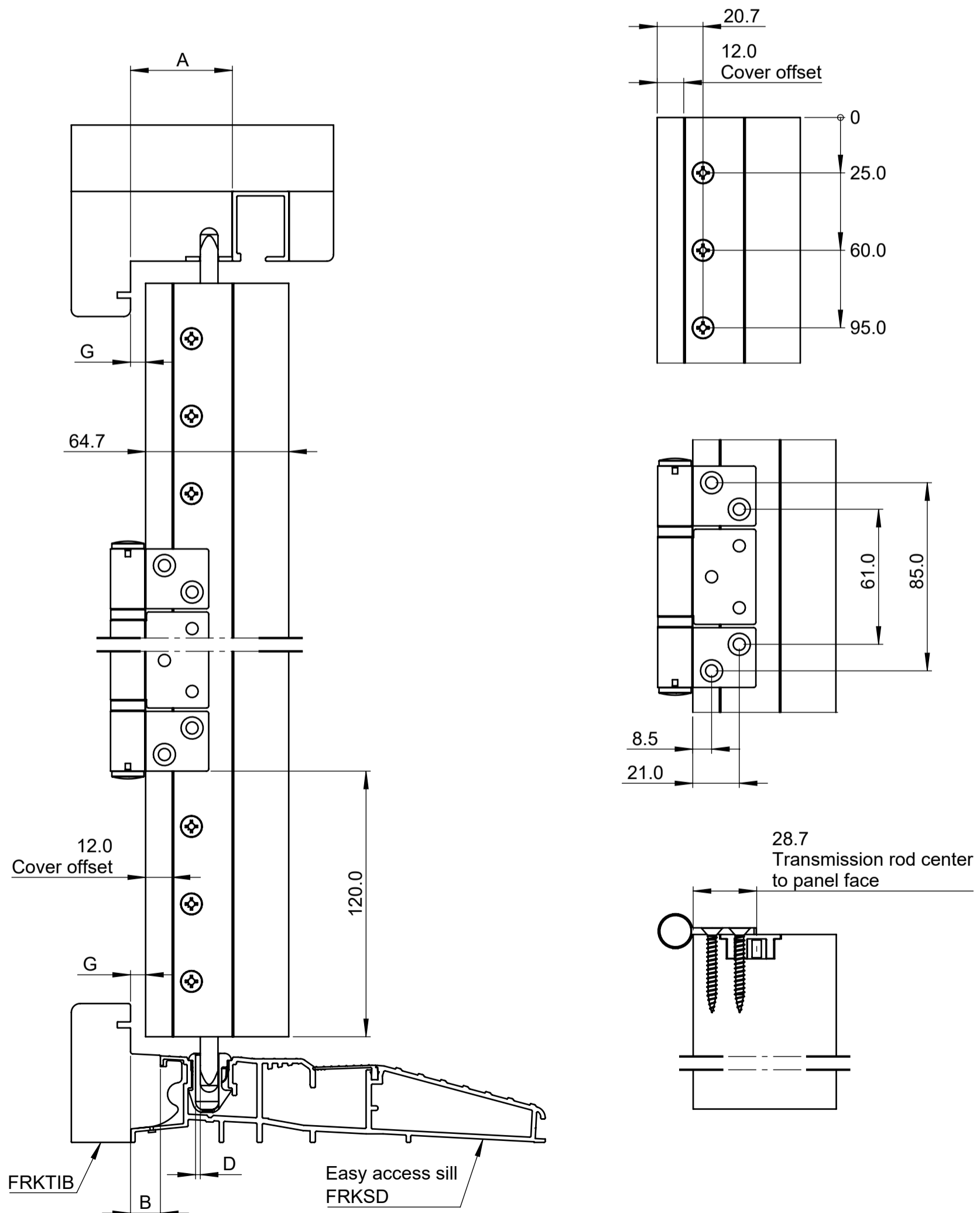
Centor F3 Folding Hardware

Head	FRHTC
Sill	FRKSD
Perimeter seal	AQ21

Panel thickness PT	Head track to stop A	Sill track to stop B	Striker & head track clearance C	Bolt & cup clearance D	Panel gap G
Min. 64.7	45.7	13.5	0	2.1	6.8
Max. 66.8			2.1	0	4.7

Notes:

- The graphic below displays the thinnest panel (64.7mm).



Centor UK Ltd

Birmingham
+44 (0) 121 701 2500
mail.uk@centor.com
centor.com

Centor Europe Sp zo.o

Stryków
+48 42 206 8810
mail.ce@centor.com
centor.com